

# Blaze

OIL FIRED SPACE HEATER: BLAZE 600 D TURBO



REPORT # 0367MH007S



Installation Instructions-Manual-Maintenance-Parts List

**CAUTION: DO NOT TAMPER WITH HEATER OR ITS CONTROLS. CALL A QUALIFIED SERVICE TECHNICIAN**

Retain manual for future reference June 25/14 REV 1  
CERTIFIED FOR USE IN CANADA AND THE U.S.A.

# READ INSTRUCTIONS PRIOR TO STARTING HEATERS

THIS HEATER IS DESIGNED AND APPROVED FOR USE AS A CONSTRUCTION HEATER UNDER STANDARD UL 733-2013 and CSA B140.8-1967 (R2011)

THESE HEATERS ARE SUITABLE FOR OUTDOOR USE

THE REQUIREMENTS OF LOCAL AUTHORITIES HAVING JURISDICTION SHALL BE FOLLOWED

THE INSTALLATION OF THE UNIT SHALL BE IN ACCORDANCE WITH THE REGULATIONS OF THE AUTHORITIES HAVING JURISDICTION

## BLAZE 600 D TURBO

**NOTE:** THIS HEATER IS INTENDED FOR USE PRIMARILY AS TEMPORARY HEATING OF BUILDINGS UNDER CONSTRUCTION, ALTERATION OR REPAIR

DO NOT TAMPER WITH THE HEATER AND CONTROLS! THE HEATER MUST BE SERVICED BY QUALIFIED SERVICE PERSONNEL.

**WARNING: THOSE WHO INSTALL THE HEATER MUST HAVE THE TRAINING AND EXPERIENCE NECESSARY TO DO SO. READ THIS MANUAL CAREFULLY. FAILURE TO PROPERLY INSTALL AND SETUP THE HEATER COULD RESULT IN PROPERTY DAMAGE, PERSONAL INJURY, OR LOSS OF LIFE. THE QUALIFIED SERVICE PERSONNEL PERFORMING THIS WORK ASSUMES A SERIOUS RESPONSIBILITY FOR THE CORRECT INSTALLATION, SETUP, AND START-UP OF THE HEATER.**



**WARNING: FIRE, BURN, INHALATION AND EXPLOSION HAZARD.**

KEEP SOLID COMBUSTIBLES SUCH AS BUILDING MATERIALS, PAPER OR CARDBOARD A SAFE DISTANCE AWAY FROM THE HEATER AS RECOMMENDED BY THE INSTRUCTIONS.

NEVER USE THE HEATER IN SPACES WHICH DO OR MAY CONTAIN VOLATILE OR AIRBORNE COMBUSTIBLES, SOLVENTS, PAINT THINNER, DUST PARTICLES OR UNKNOWN CHEMICALS.



**GENERAL HAZARD WARNING:**

FAILURE TO COMPLY WITH THE PRECAUTIONS AND INSTRUCTIONS PROVIDED WITH THIS HEATER CAN RESULT IN DEATH, SERIOUS BODILY INJURY AND PROPERTY LOSS OR DAMAGE FROM HAZARDS OF FIRE, EXPLOSION, BURN, ASPHYXIATION, CARBON MONOXIDE POISONING, AND/OR ELECTRICAL SHOCK.

ONLY PERSONS WHO CAN UNDERSTAND AND FOLLOW THE INSTRUCTIONS SHOULD USE OR SERVICE THIS HEATER.

IF YOU NEED ASSISTANCE OR HEATER INFORMATION SUCH AS AN INSTRUCTION MANUAL, LABEL, ETC. CONTACT THE MANUFACTURER.

**! WARNING !**

**NOT FOR HOME OR RECREATIONAL USE  
POSITION HEATER PROPERLY BEFORE USE  
FOR EITHER INDOOR OR OUTDOOR USE**

**ADEQUATE VENTILATION  
MUST BE PROVIDED**

THIS HEATER IS DESIGNED AND APPROVED FOR USE AS A CONSTRUCTION HEATER IN ACCORDANCE WITH STANDARDS ANSI UL 733-2013 and CSA B140.8-1967 (R2011). CHECK WITH YOUR LOCAL FIRE SAFETY AUTHORITY IF YOU HAVE QUESTIONS ABOUT APPLICATIONS.

**WARNING: INTENDED USE IS PRIMARILY THE TEMPORARY HEATING OF BUILDINGS UNDER CONSTRUCTION, ALTERATION, REPAIR OR EMERGENCIES ONLY.**

**WARNING: ALWAYS PROVIDE ADEQUATE VENTILATION. MINIMUM ACCEPTABLE VENTILATION REQUIRED: 1 SQ. IN. OF FRESH AIR MUST BE SUPPLIED FOR EVERY 1000 BTU/H OF HEAT.**

**WARNING: THIS HEATER SHALL BE INSTALLED SUCH THAT IT IS NOT DIRECTLY EXPOSED TO WATER SPRAY, AND/OR DRIPPING WATER.**

**CHECK WITH YOUR LOCAL FIRE SAFETY AUTHORITY IF YOU HAVE QUESTIONS ABOUT APPLICATIONS**

THESE INSTRUCTIONS HAVE BEEN THOROUGHLY WRITTEN, BUT THEY CANNOT COVER EVERY PECULIAR INSTALLATION AND CONTINGENCY. THEREFORE IF THERE IS ANY DOUBT AS TO INTERPRETATION OF ANY REQUIREMENTS, CONTACT YOUR LOCAL AUTHORITY HAVING JURISDICTION, YOUR LOCAL DISTRIBUTOR, OR THE FACTORY.

INSTALLATION REGULATIONS:

- 1.) THE INSTALLATION OF THE UNIT SHALL BE IN ACCORDANCE WITH THE REGULATIONS OF THE AUTHORITIES HAVING JURISDICTION.

WIRING: ALL INTERNAL WIRING OF THE HEATER IS COMPLETED BY THE MANUFACTURER. ALL EXTERNAL WIRING MUST CONFORM TO EXISTING ELECTRICAL CODES AS LAID DOWN BY THE AUTHORITIES HAVING JURISDICTION.

## **READ INSTRUCTIONS PRIOR TO STARTING HEATERS**

### **BLAZE 600 D TURBO**

THIS UNIT IS APPROVED FOR USE WITH NO. 1 AND NO. 2 FUEL OIL . NEVER USE GASOLINE OR CRANKCASE OIL WHICH MAY CONTAIN GASOLINE AS FUEL FOR THE HEATER. NEVER ATTEMPT TO BURN GARBAGE OR PAPER IN THE HEATER AND REMOVE ALL PAPER AND RAGS FROM AROUND THE HEATER. FOR YOUR SAFETY, DO NOT STORE OR USE GASOLINE OR OTHER FLAMMABLE LIQUIDS OR VAPOURS IN THE VICINITY OF THE HEATER.

FOR YOUR SAFETY DO NOT ATTEMPT TO START THE HEATER IF:

- 1.) EXCESS OIL HAS ACCUMULATED
- 2.) THE HEATER IS FULL OF VAPOUR
- 3.) THE COMBUSTION CHAMBER IS EXTREMELY HOT

DO NOT TAMPER WITH THE HEATER AND CONTROLS! THE HEATER MUST BE SERVICED BY QUALIFIED SERVICE PERSONNEL.

**WARNING: THOSE WHO INSTALL THE HEATER MUST HAVE THE TRAINING AND EXPERIENCE NECESSARY TO DO SO. READ THIS MANUAL CAREFULLY. FAILURE TO PROPERLY INSTALL AND SETUP THE HEATER COULD RESULT IN PROPERTY DAMAGE, PERSONAL INJURY, OR LOSS OF LIFE. THE QUALIFIED SERVICE PERSONNEL PERFORMING THIS WORK ASSUMES A SERIOUS RESPONSIBILITY FOR THE CORRECT INSTALLATION, SETUP, AND START-UP OF THE HEATER.**

THESE INSTRUCTIONS HAVE BEEN THOROUGHLY WRITTEN, BUT THEY CANNOT COVER EVERY PECULIAR INSTALLATION AND CONTINGENCY. THEREFORE IF THERE IS ANY DOUBT AS TO INTERPRETATION OF ANY REQUIREMENTS, CONTACT YOUR LOCAL AUTHORITY HAVING JURISDICTION, YOUR LOCAL DISTRIBUTOR, OR THE FACTORY.

IMPORTANT: IF YOU OBSERVE THE PRIMARY CONTROL IS LOCKED OUT, PUSH THE RED RESET BUTTON ONLY ONCE. IF THE BURNER DOES NOT RE-LIGHT, DO NOT PUSH THE BUTTON A SECOND TIME OR EXCESS OIL WILL ACCUMULATE IN THE COMBUSTION CHAMBER—CALL A QUALIFIED SERVICE PERSON.

**INSTALLATION REGULATIONS:**

- 1.) INSTALLATION SHOULD BE IN ACCORDANCE WITH ALL LOCAL AND NATIONAL REGULATIONS.
- 2.) IN CANADA USE THE CSA B139 INSTALLATION CODE FOR OIL BURNING EQUIPMENT.

WIRING: ALL INTERNAL WIRING OF THE HEATER IS COMPLETED BY THE MANUFACTURER. ALL EXTERNAL WIRING MUST CONFORM TO EXISTING ELECTRICAL CODES AS LAID DOWN BY THE AUTHORITIES HAVING JURISDICTION. IN CANADA, REFER TO CSA C22.1 CANADIAN ELECTRICAL CODE AND IN THE UNITED STATES AS OUTLINED IN THE BOCA CODE, OR THE NFPA 70 NATIONAL ELECTRICAL CODE.

---

**WARNING: LACK OF COMBUSTION AIR CAN CAUSE A DIRTY FIRE, ODOURS IN ENCLOSED SPACES, AND BACKDRAFTING, POTENTIALLY RESULTING IN NAUSEA OR ASPHYXIATION OF THE OCCUPANTS.**

---

<b>BLAZE 600 D SPECIFICATIONS</b>	<b>BLAZE 600D-BECKETT (OIL)</b>
<b>Burner Make &amp; Model</b>	Beckett CF800
<b>Voltage/Amps</b>	120 Volts
<b>Input (BTU/h)</b>	588,000
<b>Heated Air CFM/AMPS</b>	5,500/11.5A
<b>MOTOR HP</b>	1
<b>Ductability</b>	150ft

<b>Outlet Duct Size</b>	16" or (2) X 12"
<b>Inlet Duct Size</b>	16" or (2) X 12"
<b>Nozzle</b>	2.75 GPH X 60 B
<b>Pump Pressure</b>	175 PSI
<b>GPH</b>	4.2 GPH
<b>Fuel</b>	No. 1 or No. 2 / Kerosene or Furnace Oil
<b>Head Setting</b>	1
<b>Air Setting (Beckett-Shutter/Band))</b>	3/0
<b>APPROVAL AGENCY</b>	OMNI
<b>DRY WEIGHT (lbs)</b>	700
<b>Dimensions</b>	76.7" x 31" x 57.6"
<b>FLUE SIZE</b>	6"

# CONNECTING TO AN EXTERNAL FUEL TANK (BLAZE 600 D TURBO)

Beckett CF800 is fitted with 3/8" SAE male fittings and is set up for a 2 line system to eliminate priming. Ensure fuel tank has a supply line and a return line and connect the supply line to the 3/8" SAE fitting on the inlet side of the fuel filter and the return line to the return fitting located on the Beckett Burner pump. For a 1 line system remove bypass plug located on inlet port of Beckett Pump and just connect fuel line to inlet side of fuel filter.

## ELECTRICAL

WARNING: ELECTRICAL GROUNDING INSTRUCTIONS

THIS APPLIANCE IS ABLE IS TO RECEIVE 1 PHASE

120V SUPPLY MUST BE AVAILABLE.

INSTALLATION

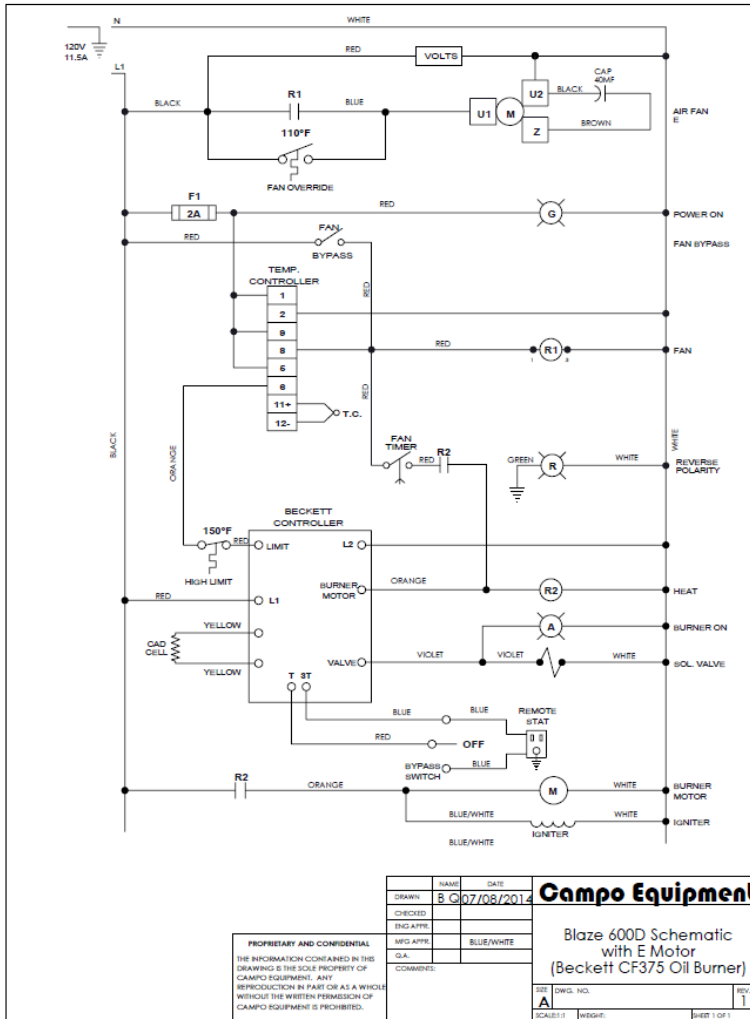
10/3 upto 100ft

NOTE: IF ANY OF THE ORIGINAL WIRE AS SUPPLIED WITH THE APPLIANCE MUST BE REPLACED, IT MUST BE REPLACED WITH TYPE TEW 14GA WIRE OR ITS EQUIVALENT.

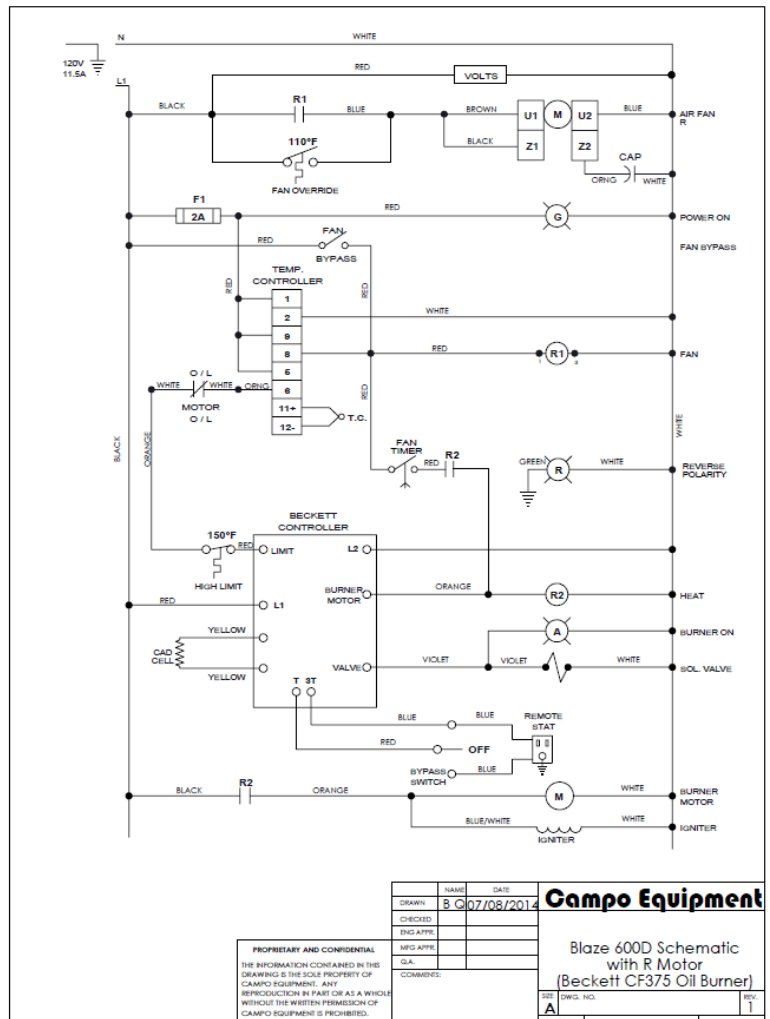
ELECTRICAL SYSTEM	BLAZE 600 D
Volts-Hertz-Phase	120-60-1
Full Load (Amps) (1PH)	11.5
Max fuse size (Amps) (1PH) with time delay	15

The electrical grounding of the heater shall be in compliance with the National Electrical Code, ANSI/NFPA 70, or the CSA C22.1, Canadian Electrical Code, Part I

## Blaze 600D Schematic with E Motor (Beckett CF375 Oil Burner)



## Blaze 600D Schematic with R Motor (Beckett CF375 Oil Burner)





# SEQUENCE OF OPERATION FOR BLAZE 600 D TURBO

## With “Selector Switch” in “Thermostat” position and remote thermostat plugged into receptacle:

- 1: Remote stat senses a drop in temperature and the ignition control module is energized.
- 2: The module performs a safe start check and the burner and spark generator start. Burner lights, ignition stops, and flame current is sensed.

For oil: the Genisys primary control contacts close, the burner motor and ignitor are energized after a 15 second delay. The primary control energizes the pump solenoid valve and flame is established. The cad cell senses flame and the burner continues to fire.

- 3: Temperature controller thermocouple heats up to factory set point (90 °F) or 1 minute time delay and circulating air blower starts.
- 4: When the remote stat senses space temperature at set point, the burner shuts down.
- 5: The circulating blower continues to operate until the air in the unit cools to the factory set point (80 °F) then turns off.

## With selector switch in “BYPASS” position:

- 1: The module performs a safe start check and the burner and spark generator start.
- 2: Burner lights, ignition stops, and flame current is sensed.
- 3: Temperature controller thermocouple heats up to factory set point (90 °F) and circulating air blower starts.
- 4: When the selector switch is placed to the off position the burner shuts down.
- 5: The circulating blower continues to operate until the air in the unit cools to the factory set point (80 °F) then turns off.

# OPERATING INSTRUCTIONS FOR BLAZE 600 D TURBO

## STARTING HEATER

- 1.) ENSURE HEATER IS ON FLAT, LEVEL GROUND BEFORE STARTING, CANOPY AND FAN GUARDS MUST BE CLOSED.
- 2.) MAKE SURE “Selector Switch” IS IN “OFF” POSITION.
- 3.) PLUG INTO 120 Volts 15 Amp POWER SUPPLY
- 4.) TURN “SELECTOR SWITCH” TO “ON” POSITION.
- 5.) FOR THERMOSTAT OPERATION FLIP SELECTOR SWITCH TO “STAT ON” POSITION.

**Please Note: When using a generator for electrical supply, make sure the generator is properly grounded and is running at a 60HZ frequency. In the event that a generator is being used and the generator runs out of fuel, make sure the heater “Selector Switch” is in the “OFF” position before restarting generator, failure to do so may damage heater.**

## STOPPING HEATER

- 1.) Flip selector switch to “OFF” position. The supply fan will continue to operate until the heat exchanger has sufficiently cooled. Do not disconnect main power until supply fan has stopped running and “Selector Switch” is on “OFF” position.

**WARNING BEFORE REMOVING ANY GUARDS OR SAFETIES TURN “SELECTOR SWITCH” TO “OFF” POSITION AND DISCONNECT THE MAIN POWER AS THE SUPPLY FAN WILL CYCLE AUTOMATICALLY.**

## IF HEATER FAILS TO START

- 1.) PRESS AND HOLD THE RED BUTTON ON THE BECKETT GENISYS CONTROLLER LOCATED ON THE CONTROL PANEL FOR 3 SECONDS TO RESET.
- 2.) CHECK FUEL LEVEL, FILTER, NOZZLE AND SUCTION TUBING.
- 3.) ENSURE PROPER POWER SUPPLY AND WIRE GAUGE IS BEING USED.
- 4.) IF HEATER FAILS TO IGNITE AFTER 3 ATTEMPTS, CALL YOUR SUPPLIER FOR SERVICE.

**NOTE:** IF UNIT HAS BEEN RESET A NUMBER OF TIMES WITHOUT IGNITION -- **DO NOT ATTEMPT TO START THE HEATER: CONTACT A QUALIFIED SERVICE TECHNICIAN.**

**NOTE:** IN OIL OPERATION IF UNIT HAS BEEN RESET A NUMBER OF TIMES WITHOUT IGNITION THERE WILL BE AN ACCUMULATION OF OIL IN THE COMBUSTION CHAMBER! **DO NOT ATTEMPT TO START THE HEATER: CONTACT A QUALIFIED SERVICE TECHNICIAN.**

---

## CAUTION

- 1.) **DO NOT SHUT OFF BY DISCONNECTING SUPPLY CORD. THE HEAT EXCHANGER SHOULD BE PROPERLY COOLED BEFORE POWER SHUTDOWN.**
- 2.) **ALWAYS MAINTAIN ADEQUATE FUEL SUPPLY.**
- 3.) **DO NOT PLUG ANYTHING OTHER THAN THE THERMOSTAT INTO THE "REMOTE STAT" PLUG.**
- 4.) **FOLLOW ELECTRICAL REQUIREMENTS SHOWN ON RATING PLATE AND/OR ELECTRICAL REQUIREMENTS SECTION OF THIS MANUAL.**
- 5.) **DO NOT START THE HEATER WHEN EXCESS OIL HAS ACCUMULATED IN CHAMBER.**
- 6.) **DO NOT FILL TANK WHILE UNIT IS OPERATING.**
- 7.) **IN NO CASE SHOULD POWER CABLES BE SMALLER THAN WHAT IS STIPULATED ON NAMEPLATE AND INSTRUCTION MANUAL.**
- 8.) **DO NOT USE GASOLINE, CRANKCASE OIL OR HEAVIER THAN NO. 2 FURNACE OIL.**
- 9.) **DO NOT START THE HEATER WHEN THE CHAMBER IS HOT**
- 10.) **DO NOT FILL THE TANK WHILE THE UNIT IS OPERATING**
- 11.) **DO NOT TAMPER WITH THE UNIT. HAVE A COMPETENT SERVICE-MAN MAKE ANY ADJUSTMENTS**
- 12.) **MAX OUTLET TEMPERATURE OF 280F**
- 13.) **AT INSTALLATION ELEVATIONS ABOVE 2000 FT (610m), THE APPLIANCE SHALL BE DERATED 4 PERCENT FOR EACH 1000 FT (305m) OF ELEVATION ABOVE SEE LEVEL**
- 14.) **DO NOT USE THIS UTILITY HEATER IF ANY PART HAS BEEN UNDER WATER. IMMEDIATELY CALL A QUALIFIED SERVICE TECHNICIAN TO INSPECT THE HEATER AND REPLACE ANY CONTROL WHICH HAS BEEN UNDER WATER.**

## ELECTRICAL REQUIREMENTS: 15 AMPS

---

## INSTALLATION INSTRUCTIONS

- 1.) The recommendations of local authorities having jurisdiction must be followed. For recommended installation practices refer to C.S.A. standard B139. (CANADA)
- 2.) When firing the unit in an enclosed area allow 1 square inch per thousand BTU's (refer to C.S.A. B139-1962) to allow the free entry of the air required for operation.
- 3.) For electrical supply: 120 Volts 15 amps
- 4.) Do not operate the unit in partly ventilated areas without a flue pipe or in close proximity to combustible surfaces or materials. Non Combustible floor must extend 6 feet on all sides of the unit.

<b>NOTE: Installation clearances are as follows:</b>	
<b>TOP</b>	<b>3 feet</b>
<b>SIDES</b>	<b>3 feet</b>
<b>BURNER END</b>	<b>3 feet</b>
<b>DISCHARGE END</b>	<b>10 feet</b>
<b>VENT CONNECTOR</b>	<b>3 Feet</b>
<b>COMBUSTIBLE FLOOR</b>	<b>6 feet</b>

## **FLUE PIPE CONNECTIONS**

### **VENT TO OUTDOORS**

#### **FOR INSTALLATION ON NON-COMBUSTIBLE FLOORS ONLY**

When the heater is connected to a flue pipe the flue pipe shall terminate in a vertical section at least two feet long. Horizontal runs should have rise ratio of 1 in 10 away from the heater. Where down drafts are liable to occur a vent cap should be used. All venting should correspond with the CSA B139 standard or local codes.

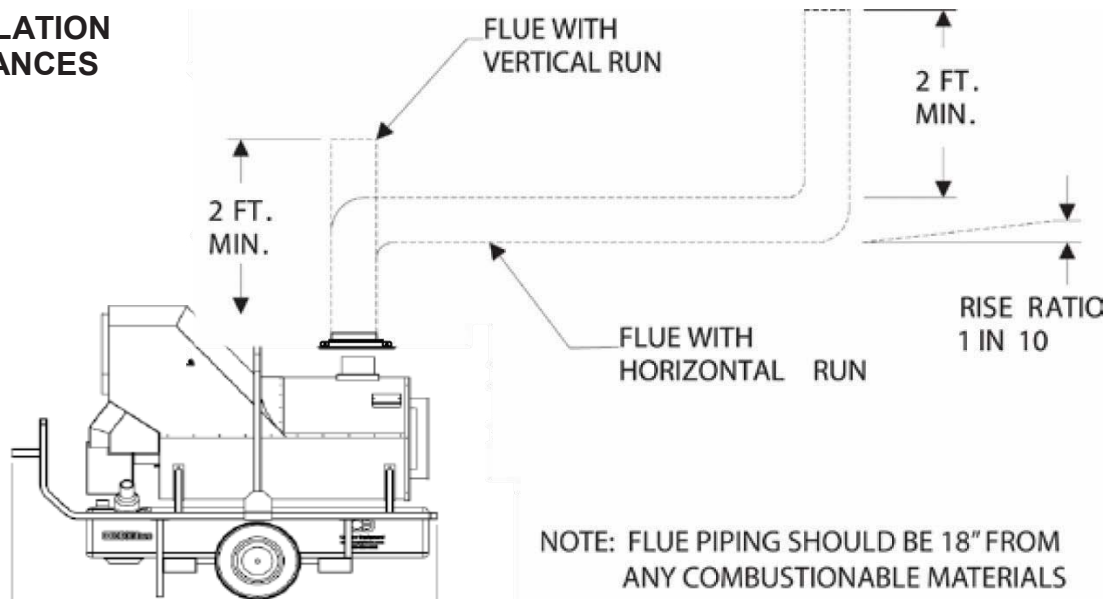
**CAUTION: HEATER FLUE TEMPERATURES CAN REACH 900 °F TO 1000 °F THEREFORE IT IS A RANGE THAT IS BOTH HAZARDOUS TO HUMANS AND HIGHER THAN THE AUTO-IGNITION TEMPERATURES OF MANY MATERIALS. THEREFORE EXERCISE CAUTION IN HEATER PLACEMENT AND THE USE OF AN INSULATED GUARD AND STACK IS HIGHLY RECOMMENDED.**

Horizontal venting runs shall always terminate with a minimum 24" vertical.

**NOTE: FOR OPTIMAL COMBUSTION PERFORMANCE A 30" C-VENT FLUE EXTENSION WITH RAIN CAP IS RECOMMENDED AT ALL TIMES.**

Recommended chimney draft - .05 inches of water column

## INSTALLATION CLEARANCES



**MAXIMUM ALLOWABLE DUCT LENGTHS BLAZE 600 D – Total 150ft (Max 24ft on inlet)**

**RETURN DUCTS 16" or optional 2 X 12"**

**SUPPLY DUCTS 2 X 12" or optional 16"**

**THIS HEATER IS FOR USE WITH AND WITHOUT DUCTWORK  
WHEN USING DUCTWORK AVOID ANY KINKS OR SHARP BENDS.  
INSUFFICIENT INLET AIR OR INSUFFICIENT DISCHARGE AIR WILL CAUSE  
THE HEATER TO OVERHEAT.**

## BLAZE 600 D TURBO MAINTENANCE INSTRUCTIONS

**WARNING EVERY CONSTRUCTION HEATER SHOULD BE INSPECTED  
BEFORE EACH USE, AND AT LEAST ANNUALLY BY A QUALIFIED SERVICE  
PERSON. INCORRECT MAINTENANCE MAY RESULT IN IMPROPER  
OPERATION OF THE HEATER AND SERIOUS INJURY COULD OCCUR.**

### HOSE ASSEMBLIES

The hose assemblies shall be visually inspected prior to each use of the heater. If it is evident there is excessive abrasion or wear, or the hose is cut, it must be replaced prior to the heater being put into operation. The replacement hose assembly shall be that specified by the manufacturer.

### TEMPERATURE CONTROLLER AND THERMOCOUPLE

The temperature controller protocols should be checked every heating season to ensure the burner will shutdown if temperature exceeds 280F at the outlet duct. This can be accomplished by restricting the air flow through the unit. After tests are complete, remove restrictors as both inlet and outlet ducts must be open for proper operation.

The temperature controller setting of 90 °F has been selected to allow for preheating of the heat exchanger to ensure that only heated air is allowed to enter the space. Upon satisfying the need for heat, the temperature controller will

continue to run the supply fan until the heat exchanger has cooled sufficiently. This feature will help prolong the life of the heat exchanger. The temperature controller must be replaced if the fan motor does not shut off after the heat exchanger has cooled down.

#### Temperature Controller Protocols

Fan Turns on at 90 °F

Out # 2 is set at 280°F (This will cycle the burner off 280°F and back on at 275°F.) If the burner reset light goes on; you need to go into the burner compartment. For the Beckett CF800 oil burner the Beckett Genisys controller located on the control panel must be pressed.

There is a high limit switch set at 295°F supply temperature (This will cause burner to go out on high temp.)

During cool down the unit cools to 80 °F and then shuts down.

#### **ELECTRICAL**

Ensure all conduit (BX) connectors are tight. Open control panel door and burner compartment and check connections are tight and no frayed wires exposed.

#### **FAN**

Check for dust or dirt build up on blades. Run heater to check for fan vibration. Replace fan blade if vibration is noticeable. The flow of combustion and ventilation air must not be obstructed. Be sure to check the fan assembly and ensure that the motor and blade are operating properly.

#### **MOTOR**

No lubrication is necessary since the bearings are the sealed type. Clean motor of existing dust or dirt.

#### **HEAT EXCHANGER**

If a smoky condition continues even after adjusting the air assembly, the heat exchanger should be thoroughly cleaned.

#### **FUEL FILTER (OIL OPERATION)**

Replace cartridge every six months of normal usage.

NOTE: FLOW OF COMBUSTION AND VENTILATION AIR CANNOT BE OBSTRUCTED

#### **FLAME DETECTOR (OIL OPERATION)**

When doing maintenance, turn on machine and run. After having machine run for a few minutes, press red button on primary control. Hold for one second and then release. If light flashes once or twice or three times, cad cell is functioning properly. If flashes four times, check alignment and proper flame. If correct a cleaning of the face of the cad cell with a soft non-abrasive cloth is recommended. If light flashes 4 times, follow above steps. If flashing four times persists, replace cad cell.

LED FLASHES	CAD CELL RESISTANCE
1	0-400 Ohms
2	400-800 Ohms
3	800-1600 Ohms
4	>=1600 Ohms

## BURNER (OIL OPERATION)

The electrode spacing must be checked and adjusted, if necessary after every nozzle change. Nozzle should be replaced annually or sooner if burner cannot be set up to operate properly. Nozzle size and type are marked on the rating plate.

***Distance between electrode tips must be 5/32"***

***Electrode tips must be 1/4" from nozzle centre***

***Electrode tips must be 1/8" higher than nozzle tip***

### ***Nozzle and nozzle line assembly***

Failure to properly set and maintain the electrode and nozzle spacing dimensions can cause incorrect burner ignition or poor combustion. This could result in severe personal injury, death or substantial property damage.

---

**AFTER INSPECTION, A COMPLETE COMBUSTION TEST MUST BE PERFORMED AFTER EACH ANNUAL SERVICE OF THE UNIT TO MAINTAIN OPTIMUM PERFORMANCE AND RELIABILITY.**

---

---

**WARNING: TURN OFF THE FUEL SUPPLIES AND POWER BEFORE PERFORMING SERVICE WORK. THE 120V CIRCUIT IS A POTENTIAL ELECTROCUTION HAZARD.**

---

## COMBUSTION AIR ADJUSTMENTS

BLAZE 600 D SPECIFICATIONS	BLAZE 600D-BECKETT (OIL)
Nozzle	2.75 GPH X 60 B
Pump Pressure	175 PSI
Head Setting	1
Air Setting (Beckett-Shutter/Band)	3/0

**NOTE:** The above settings are approximations based upon clean equipment in proper working order. Combustion air adjustments will vary with location, altitude and type of fuel used.

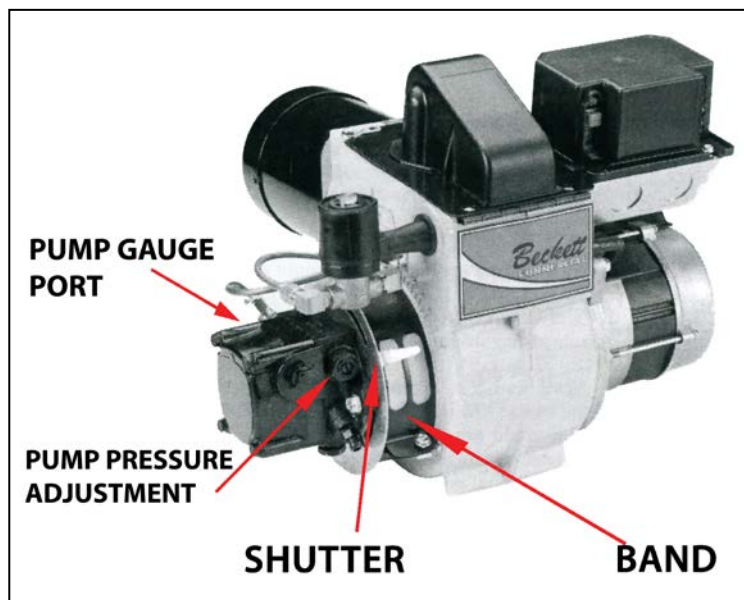
---

**WARNING: LACK OF COMBUSTION AIR CAN CAUSE A DIRTY FIRE, ODOURS IN ENCLOSED SPACES, AND BACKDRAFTING, POTENTIALLY RESULTING IN NAUSEA OR ASPHYXIATION OF THE OCCUPANTS.**

---

BECKETT CF800

## COMBUSTION AIR ADJUSTMENTS



For proper combustion air adjustment a calibrated gas analyzer and smoke tester should be used to ensure complete combustion. Air adjustment should be made at the correct input and be adjusted to achieve 5% Oxygen and 12% CO<sub>2</sub>. For optimum combustion efficiency the combustion air control should be set to provide no more than No. 1 smoke (Bacharach Scale). The Beckett burner has a calibrated air band, which will assist in adjusting the primary air for a good oil/air mixture. Adjust the air band supply by loosening lock screws and moving air shutter and if necessary the bulk air band. Begin by reducing the air until the unit begins to produce smoke. Increase air until no smoke is produced. Check for excessive heat build up in the heat exchanger. Insufficient air will cause flame impingement and reduced heat exchanger life. Increase air until heat build up has been eliminated. Check for proper ignition. Once satisfied re-tighten all screws and locking mechanisms.

This adjustment is to be carried out while the unit is operating and after 5 minutes of firing. Rotating the air bands on the burner housing makes the adjustment.

## SETTING OIL FIRING RATES

- 1.) Choose BTU required. For example 588,000 BTU..
- 2.) Check name plate for recommended pump pressure. 175 psi is recommended.
- 3.) Check nameplate for recommended air setting. A 3/0 air setting is recommended.
- 4.) Install a pressure gauge in pump gauge port and start the burner. Operate for 5 minutes until blower fan starts.
- 5.) Adjust pump pressure to 175 PSI.
- 6.) Adjust air band to 0 and adjust air shutter to 3.
- 7.) Check smoke and CO<sub>2</sub> levels. Once attained, lock air band and shutter in place.
- 8.) Shut off burner, let unit cool down. The unit is now adjusted for 588,000 input BTU's.

## THERMOSTAT OPERATION

The BLAZE 600 D can be operated with a thermostat control.

An optional Remote Thermostat is available for temperature control for the space being heated. To connect the stat, simply plug the stat into an extension cord and the extension cord into the outlet marked "REMOTE STAT". Make sure selector is in the "STAT ON" position. Place the stat into the space that is being heated. The unit will now shut down at the stat temperature setting.





MAZOUT CHAUFFAGE: BLAZE 600 D TURBO



Rapport # # 0367MH007S



Instructions d'installation-Manuel-Entretien-Liste des Pièces

MISE EN GARDE : NE MODIFIEZ PAS LE RADIATEUR OU SES CONTRÔLES. CONSULTEZ UN TECHNICIEN DE SERVICE QUALIFIÉ

Conservez Ce Manuel Pour Référence Future

25/06/14 RÉV 1

CERTIFIÉ POUR LE CANADA ET LES ÉTATS-UNIS



# LISEZ LES INSTRUCTIONS AVANT D'UTILISER LES RADIATEURS

CET APPAREIL EST CONÇU ET APPROUVÉ POUR ÊTRE UTILISÉ COMME CHAUFFERETTE DE CONSTRUCTION CONFORME AUX NORMES UL 733-2013 et CSA B140.8-1967 (R2011)

CES APPAREILS CONVIENNENT AUX APPLICATIONS EXTÉRIEURES

LES EXIGENCES DES AUTORITÉS LOCALES AVEC COMPÉTENCE ET DOIT ÊTRE SUIVIE

L'INSTALLATION DE L'UNITÉ DOIT ÊTRE CONFORME AUX RÈGLEMENTS DE LA AUTORITES LOCALES AVEC JURIDICTION

## BLAZE 600 D TURBO

**NOTE :** CE RADIATEUR EST PRÉVU PRINCIPALEMENT POUR UN CHAUFFAGE PROVISoire DES BÂTIMENTS EN CONSTRUCTION, EN RÉNOVATION OU EN RÉPARATION

NE MODIFIEZ PAS LE RADIATEUR ET LES CONTRÔLES ! LE RADIATEUR DOIT ÊTRE ENTRETENU PAR UN PERSONNEL DE SERVICE QUALIFIÉ.

**AVERTISSEMENT : CEUX QUI INSTALLENT LE RADIATEUR DOIVENT AVOIR LA FORMATION ET L'EXPÉRIENCE NÉCESSAIRES POUR LE FAIRE. LISEZ CE MANUEL AVEC SOIN. SI LE RADIATEUR N'EST PAS CORRECTEMENT INSTALLÉ, IL POURRAIT CAUSER DES DÉGATS MATÉRIELS, DES BLESSURES, VOIRE DES PERTES DE VIE. LE PERSONNEL DE SERVICE QUALIFIÉ QUI EFFECTUE CE TRAVAIL A UNE GRANDE RESPONSABILITÉ POUR LA BONNE INSTALLATION ET LA MISE EN MARCHÉ CORRECTE DU RADIATEUR.**



### **AVERTISSEMENT:** DANGER

D'INCENDIE DE BRÛLURE, D'INHALATION ET D'EXPLOSION.

TENIR LES COMUSTIBLES SOLIDES, COMME LES MATÉRIAUX DE CONSTRUCTION, LE PAPIER ET LE CARTON À BONNE DISTANCE DU RADIATEUR TEL QUE RECOMMANDÉ DANS LES INSTRUCTIONS.

NE JAMAIS UTILISER LE RADIATEUR DANS LES ESPACES QUI CONTIENNENT OU QUI PEUVENT CONTENIR DES PRODUITS VOLATILS OU DES COMBUSTIBLES EN SUSPENSION DAN L'AIR OU DES SOLVANTS DES DILUANTS À PEINTURE, DES PARTICULES DE POUSSIÈRE OU DES PRODUITS CHIMIQUES INCONNUS.



## AVERTISSEMENT DE DANGER GÉNÉRAL:

SI LES PRÉCAUTIONS ET LES INSTRUCTIONS FOURNIES AVEC CE RADIATEUR NE SONT PAS OBSERVÉES, IL Y A DES DANGERS DE PERTE DE VIE, DE BLESSURES GRAVES OU DE DÉGÂTS OU DE DOMMAGES À LA PROPRIÉTÉ EN RAISON DES RISQUES D'INCENDIE, D'EXPLOSION, DE BRÛLURE, D'ASPHYXIE, DE MONOXYDE DE CARBONE, D'EMPOISONNEMENT OU DE CHOC ÉLECTRIQUE.

SEULES LES PERSONNES QUI PEUVENT COMPRENDRE ET SUIVRE LES INSTRUCTIONS DEVRAIENT UTILISER OU ASSURER LE SERVICE DE CE RADIATEUR.

SI VOUS AVEZ BESOIN D'AIDE OU DE RENSEIGNEMENTS SUR LE RADIATEUR, COMME UN MANUEL D'INSTRUCTIONS, DES ÉTIQUETTES, ETC., COMMUNIQUEZ AVEC LE FABRICANT.

## **! AVERTISSEMENT !**

**NE PAS UTILISER POUR LA MAISON OU À DES FINS DE RÉCRÉATION**

**PLACER LE RADIATEUR CORRECTEMENT AVANT DE L'UTILISER**

**UTILISATION À L'INTÉRIEUR OU À L'EXTÉRIEUR**

**UNE VENTILATION ADÉQUATE  
DOIT ÊTRE FOURNIE**

CE RADIATEUR EST CONÇU PRINCIPALEMENT POUR UTILISATION COMME UN CHAUFFAGE DE CONSTRUCTION CONFORMEMENT AUX NORMES UL 733-2013 et CSA B140.8-1967 (R2011). CONSULTEZ LES COLLECTIVITES LOCALES DE SÉCURITÉ INCENDIE SI VOUS AVEZ DES QUESTIONS À PROPOS DES APPLICATIONS.

**AVERTISSEMENT** : LA PRINCIPALE UTILISATION DE CHAUFFAGE EST PRÉVU POUR CHAUFFAGE TEMPORAIRE DES BÂTIMENTS EN CONSTRUCTION, EN RÉNOVATION OU EN RÉPARATION, ET D'URGENCE SEULEMENT.

**AVERTISSEMENT : PRÉVOYEZ TOUJOURS UNE VENTILATION ADÉQUATE. VENTILATION ACCEPTABLE MINIMUM REQUISE : 1 PO CA D'AIR FRAIS DOIT ÊTRE FOURNI POUR CHAQUE 1000 BTU/H DE CHALEUR.**

**AVERTISSEMENT : CE RADIATEUR DOIT ÊTRE INSTALLÉ DE MANIÈRE À NE PAS ÊTRE EXPOSÉ DIRECTEMENT À UN JET D'EAU OU UNE EAU QUI DÉGOUTTE.**

**VÉRIFIEZ AVEC L'AUTORITÉ LOCALE DE SÉCURITÉ-INCENDIE SI VOUS AVEZ DES QUESTIONS AU SUJET DES APPLICATIONS**

CES INSTRUCTIONS ONT ÉTÉ PRÉPARÉES AVEC SOIN, MAIS ELLES NE PEUVENT PAS COUVRIR CHAQUE INSTALLATION ET ÉVENTUALITÉ PARTICULIÈRE. PAR CONSÉQUENT, S'IL Y A DES DOUTES QUANT À L'INTERPRÉTATION DES EXIGENCES, COMMUNIQUEZ AVEC L'AUTORITÉ LOCALE DE VOTRE JURIDICTION, VOTRE DISTRIBUTEUR LOCAL OU L'USINE.

RÈGLEMENTS TOUCHANT L'INSTALLATION :

- 1.) L'INSTALLATION DEVRAIT ÊTRE CONFORME À TOUS LES RÈGLEMENTS LOCAUX ET NATIONAUX.

CÂBLAGE: TOUT LE CÂBLAGE INTERNE DU RADIATEUR EST FAIT PAR LE FABRICANT. TOUT LE CÂBLAGE EXTERNE DOIT ÊTRE CONFORME AUX CODES D'ÉLECTRICITÉ ACTUELS ÉTABLIS PAR LES AUTORITÉS AYANT JURIDICTION.

## **LIRE LES INSTRUCTIONS AVANT DE METTRE L'APPAREIL DE CHAUFFAGE EN MARCHÉ**

### **BLAZE 600 D TURBO**

CET APPAREIL EST APPROUVÉ POUR L'UTILISATION DE MAZOUT NUMÉRO 1 ET NUMÉRO 2. NE JAMAIS UTILISER DE L'ESSENCE OU DE L'HUILE À MOTEUR QUI PEUT CONTENIR DE L'ESSENCE COMME COMBUSTIBLE. NE JAMAIS TENTER DE BRÛLER DES DÉCHETS OU DU PAPIER DANS CET APPAREIL ET RETIRER TOUT LE PAPIER ET LES CHIFFONS QUI SE TROUVENT AUTOUR. POUR VOTRE SÉCURITÉ, NE PAS RANGER OU UTILISER D'ESSENCE OU D'AUTRES LIQUIDES INFLAMMABLES PRÈS DE L'APPAREIL.

POUR VOTRE SÉCURITÉ, NE TENTEZ PAS DE DÉMARRER L'APPAREIL:

- 1.) SI UN EXCÉDENT DE MAZOUT S'EST ACCUMULÉ
- 2.) SI L'APPAREIL EST REMPLI DE VAPEUR
- 3.) SI LA CHAMBRE DE COMBUSTION EST TRÈS CHAUDE

NE PAS MANIPULER L'APPAREIL OU SES COMMANDES. IL DOIT ÊTRE ENTRETENU PAR DU PERSONNEL D'ENTRETIEN QUALIFIÉ.

**AVERTISSEMENT : LES PERSONNES QUI INSTALLENT CET APPAREIL DE CHAUFFAGE DOIVENT AVOIR LA FORMATION ET L'EXPÉRIENCE NÉCESSAIRES. IL FAUT PAR CONSÉQUENT LIRE ATTENTIVEMENT LE PRÉSENT MANUEL. LE DÉFAUT D'INSTALLER ET DÉ RÉGLER CORRECTEMENT L'APPAREIL PEUT ENGENDRER DES DOMMAGES À LA PROPRIÉTÉ, DES BLESSURES AUX PERSONNES OU LA PERTE DE VIE. LE PERSONNEL QUALIFIÉ QUI EFFECTUE CES TÂCHES ASSUME DE SÉRIEUSES RESPONSABILITÉS POUR EXÉCUTER CORRECTEMENT L'INSTALLATION, LE RÉGLAGE ET LE DÉMARRAGE DE L'APPAREIL.**

LES PRÉSENTES INSTRUCTIONS ONT ÉTÉ RÉDIGÉES DE FAÇON EXHAUSTIVE, MAIS ELLES NE PEUVENT PAS TENIR COMPTE DE CHAQUE INSTALLATION SPÉCIALE OU DE CHAQUE IMPONDÉRABLE. PAR CONSÉQUENT, S'IL Y A UN DOUTE QUANT À L'INTERPRÉTATION DE L'UNE OU L'AUTRE DES EXIGENCES, COMMUNIQUER AVEC LE RESPONSABLE LOCAL AYANT AUTORITÉ, LE DISTRIBUTEUR LOCAL OU L'USINE.

IMPORTANT : SI VOUS VOUS RENDEZ COMPTE QUE LA COMMANDE PRINCIPALE EST VERROUILLÉE FERMÉE, APPUYEZ SUR LE BOUTON DE RÉINITIALISATION ROUGE UNE FOIS SEULEMENT. SI LE BRÛLEUR NE DÉMARRE PAS DE NOUVEAU, NE PAS APPUYER SUR LE BOUTON UNE DEUXIÈME FOIS OU UN EXCÉDENT DE COMBUSTIBLE S'ACCUMULERA DANS LA CHAMBRE DE COMBUSTION. APPELEZ UN TECHNICIEN QUALIFIÉ.

NOTICE D'INSTALLATION :

1 L'INSTALLATION DOIT SE FAIRE CONFORMÉMENT À TOUS LES RÈGLEMENTS LOCAUX ET NATIONAUX.

2.) AU CANADA, CONSULTEZ LE CODE D'INSTALLATION CSA B139 POUR L'ÉQUIPEMENT DE CHAUFFAGE AU MAZOUT.

CÂBLAGE : TOUT LE CÂBLAGE INTERNE DE L'APPAREIL DE CHAUFFAGE EST INSTALLÉ PAR LE FABRICANT. TOUT LE CÂBLAGE EXTERNE DOIT ÊTRE CONFORME AU CODE DE D'ÉLECTRICITÉ EXISTANT, ÉDICTÉ PAR LES AUTORITÉS COMPÉTENTES. AU CANADA, CONSULTEZ LA NORME CSA C22.1 ET LE CODE CANADIEN DE L'ÉLECTRICITÉ. AUX ÉTATS-UNIS, CONSULTEZ LE CODE BOCA OU LE NFPA 70 "NATIONAL ELECTRICAL CODE".

**AVERTISSEMENT: L'INSUFFISANCE D'AIR DE COMBUSTION PEUT ENGENDRER LE BRÛLAGE SALE, DES ODEURS DANS LES ESPACES FERMÉS ET UN REFOULEMENT D'AIR, QUI POURRAIT CAUSER LA NAUSÉE OU L'ASPHYXIE CHEZ LES OCCUPANTS.**

<b>BLAZE 600 D FICHE TECHNIQUE</b>	<b>BLAZE 600D-BECKETT (OIL)</b>
Marque et modèle de brûleur	Beckett CF800
Tension	120 V
Entrée (BTU/h)	588,000
Air chauffé pi. cu./mi. pour les vitesses du ventilateur	5,500/11.5A

<b>HP DU MOTEUR</b>	1
<b>Longueur des canalisations</b>	150pi
<b>Grandeur des sorties des canalisations (Temp. max. : 300 °F)</b>	16" or (2) X 12"
<b>Grandeur de l'entrée des canalisations</b>	16" or (2) X 12"
<b>Buse</b>	2.75 GPH X 60 B
<b>Pression à la pompe</b>	175 PSI
<b>MAX GPH</b>	4.2 GPH
<b>Fuel</b>	No. 1 or No. 2 / Kérosène ou du mazout de chauffage
<b>Réglage de la tête</b>	1
<b>Réglage de l'air (Beckett-Shutter/Band)</b>	3/0
<b>AGENCE D'APPROBATION</b>	OMNI
<b>POIDS SEC (lb)</b>	500
<b>Dimensions</b>	76.7" X 31" X 57.6"
<b>GROSSEUR DE LA CHEMINÉE</b>	6 po

# RACCORDEMENT À UN RÉSERVOIR DE CARBURANT EXTERNE (BLAZE 600 D TURBO)

Beckett CF800 est équipé de 3/8 "raccords mâle SAE et est mis en place pour un système à 2 lignes pour éliminer l'amorçage. Assurez-vous que le réservoir de carburant a une canalisation d'alimentation, une canalisation de retour et connecter la ligne d'alimentation à la "SAE raccord 3/8 sur le côté d'entrée du filtre à carburant et la conduite de retour pour le retour raccord situé sur la pompe Beckett brûleur. Pour les systèmes à une canalisation, retirez la prise de dérivation située sur le point d'entrée de la pompe Beckett et raccordez la canalisation de carburant au côté alimentation du filtre de carburant. Pour un système de ligne 1, vous devez retirer le bouchon de dérivation situé sur le port d'entrée de la pompe Beckett et connecter la ligne de carburant sur le côté d'entrée du filtre à carburant.

## RACCORDEMENT ÉLECTRIQUE

AVERTISSEMENT: INSTRUCTIONS POUR LA MISE À LA TERRE

CET APPAREIL PEUT RECEVOIR UNE ALIMENTATION ÉLECTRIQUE MONOPHASÉE

UNE ALIMENTATION ÉLECTRIQUE DE 120V DOIT ÊTRE DISPONIBLE.

L'INSTALLATION

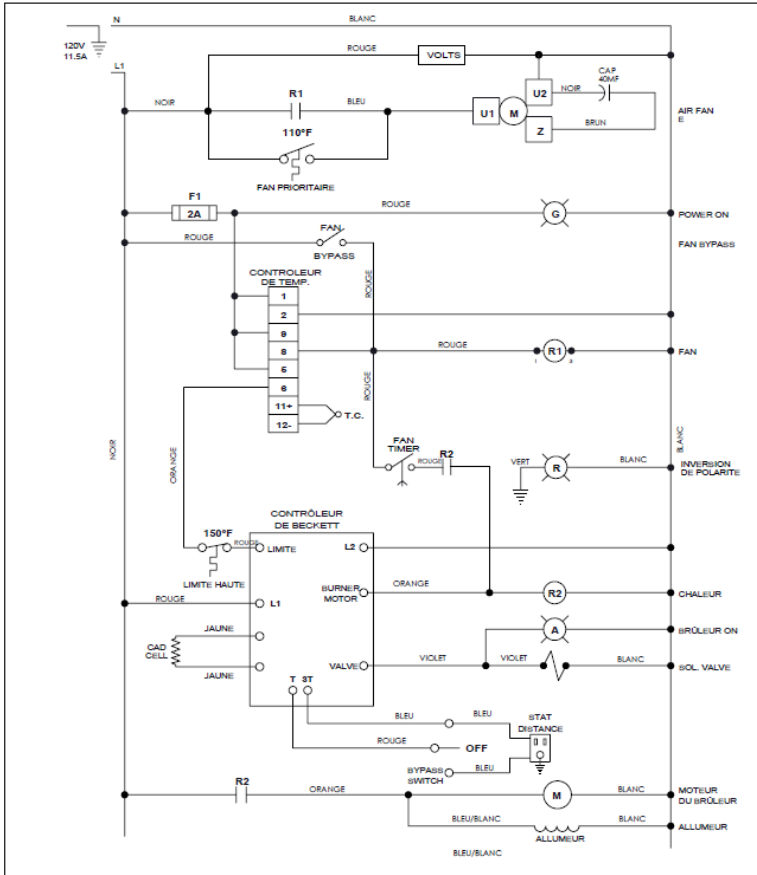
10/3 jusqu'à 100 pieds

NOTE : SI UNE PARTIE DU CÂBLAGE ÉLECTRIQUE FOURNI AVEC L'APPAREIL DOIT ÊTRE REMPLACÉ, IL DOIT ÊTRE REMPLACÉ PAR UN CÂBLAGE DE TYPE TEW 14 GA FIL OU SON ÉQUIVALENT.

SYSTÈME ÉLECTRIQUE	BLAZE 600 D
Volts-Hertz-Phase	120-60-1
Pleine charge (A) (1 PH)	11.5
Calibre max. du fusible (A) (1 PH) avec temporisation	15

La mise à la terre électrique de l'appareil doit être conforme au Code national de l'électricité, la norme ANSI/NFPA 70 ou la norme CSA C22.1, le Code national de l'électricité, partie I.

Blaze 600D Schématique avec Moteur E  
(Brûleur à Mazout Beckett CF375)



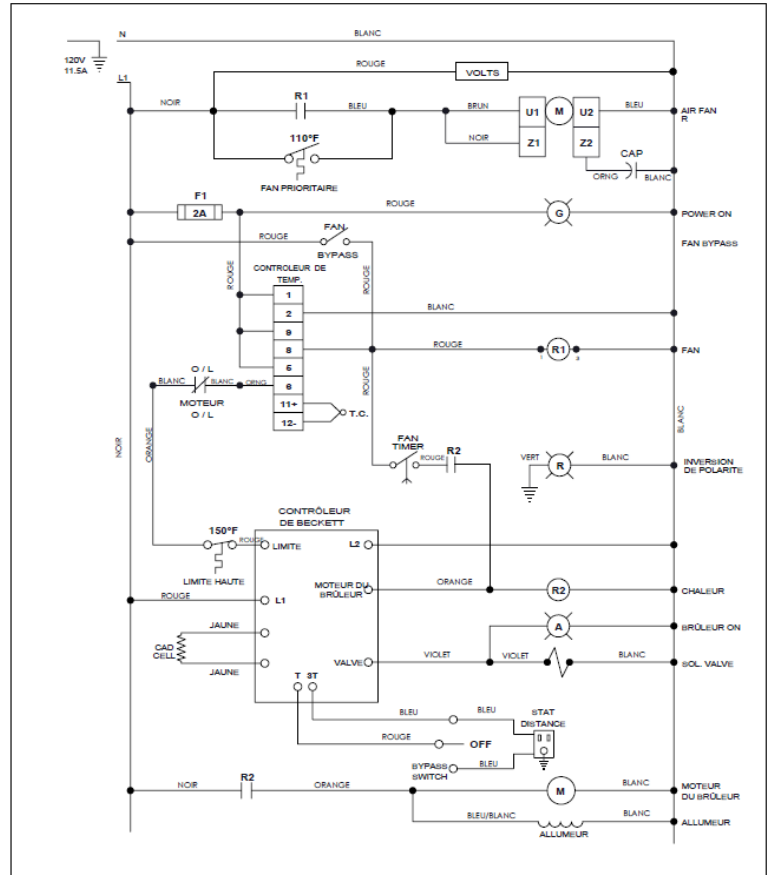
NAME	DATE
DESIGNER	B.C. 07/08/2014
VERIFIE	
ENG APPR.	
MFG APPR.	
G.A.	
COMMENTAIRES:	

**Campo Equipment**  
Blaze 600D Schématique avec Moteur E  
(Brûleur à Mazout Beckett CF375)

SSE	DWG. NO.	REV.
A		1
SCALE: 1/1	FOCUS	NO. 1 DE 1

**PROPRIÉTAIRE ET CONFIDENTIEL**  
LES INFORMATIONS CONTENUES DANS CE Dessin EST LA PROPRIÉTÉ EXCLUSIVE DE CAMPO EQUIPMENT. Toute reproduction même partielle ou en totalité sans l'autorisation écrite des CAMPO EQUIPMENT EST INTERDITE.

Blaze 600D Schématique avec Moteur R  
(Brûleur à Mazout Beckett CF375)



NAME	DATE
DESIGNER	B.C. 07/08/2014
VERIFIE	
ENG APPR.	
MFG APPR.	
G.A.	
COMMENTAIRES:	

**Campo Equipment**  
Blaze 600D Schématique avec Moteur R  
(Brûleur à Mazout Beckett CF375)

SSE	DWG. NO.	REV.
A		1
SCALE: 1/1	FOCUS	NO. 1 DE 1

**PROPRIÉTAIRE ET CONFIDENTIEL**  
LES INFORMATIONS CONTENUES DANS CE Dessin EST LA PROPRIÉTÉ EXCLUSIVE DE CAMPO EQUIPMENT. Toute reproduction même partielle ou en totalité sans l'autorisation écrite des CAMPO EQUIPMENT EST INTERDITE.

# SÉQUENCE D'UTILISATION DE L'APPAREIL BLAZE 600 D TURBO

Placez («Sélecteur») en position «thermostat» et le mécanisme de chauffage branché dans la prise de courant:

1. Le thermostat de chauffage perçoit une baisse de la température et le module de contrôle de l'allumage est mis sous tension.
2. Le module fait une vérification de sécurité du démarrage; le brûleur et le générateur d'étincelles se mettent en marche. Le brûleur s'allume; l'allumage s'arrête et le courant de la flamme est perçu.

Pour le mazout : Les contacts du contrôle primaire Genisys se ferment; le moteur du brûleur et l'allumoir sont mis sous tension après 15 secondes. Le contrôle primaire met sous tension la vanne du solénoïde de la pompe et une flamme est produite. La cellule cad détecte la présence d'une flamme et le brûleur reste allumé.

3. Le thermocouple du régulateur se réchauffe à la consigne de l'usine (90 ° F) ou 1 minute retard et une soufflerie d'air commence.
4. Quand le thermostat de chauffage qui perçoit la température de l'espace à chauffer est parvenu au point demandé, le brûleur s'arrête.
5. Le ventilateur continue de fonctionner jusqu'à ce que l'air contenu dans l'appareil soit parvenu au point établi à l'usine (80 °F) avant de s'arrêter.

**Lorsque le sélecteur est en position « BYPASS » (dérivation) :**

- 1 : Le module fait une vérification de sécurité du démarrage et le brûleur et le générateur d'étincelles se mettent en marche.
- 2 : Le brûleur s'allume; l'allumage s'arrête et le courant de la flamme est décelé.
- 3 : Le thermocouple du contrôleur de la température se réchauffe jusqu'au niveau établi à l'usine (90 °F) et le ventilateur de circulation de l'air se met en marche.
- 4 : Lorsque le sélecteur de chauffage/ventilateur est tourné en position « OFF », le brûleur s'éteint.
- 5 : Le ventilateur de circulation de l'air continue de fonctionner jusqu'à ce que l'air contenu dans l'appareil soit parvenu au réglage établi à l'usine (80 °F) avant de s'arrêter.

# INSTRUCTIONS D'UTILISATION DE L'APPAREIL BLAZE 600 D TURBO

## DÉMARRAGE DE L'APPAREIL

- 1.) ASSUREZ-VOUS QUE L'APPAREIL EST PLACÉ SUR UNE SURFACE PLATE ET DE NIVEAU AVANT DE LE METTRE EN MARCHÉ; LE COUVERT ET LES PROTECTEURS DU VENTILATEUR DOIVENT TOUJOURS ÊTRE FERMÉS.
- 2.) ASSUREZ-VOUS QUE («Sélecteur») "Selector Switch" EST EN POSICION « OFF ».
- 3.) INSTALLEZ LE CÂBLAGE D'ALIMENTATION ÉLECTRIQUE SUR UNE PRISE D'ALIMENTATION DE 120 Volts, 15 amps.
- 4.) TOURNEZ («Sélecteur») "SELECTOR SWITCH" EN POSITION « ON ».
- 5.) POUR L'UTILISATION DU THERMOSTAT, PLACEZ LE SÉLECTEUR EN POSITION «STAT ON».

**Note :** Lorsque vous utilisez une génératrice comme alimentation électrique, assurez-vous que la génératrice est bien mise à la terre et qu'elle utilise une fréquence de 60 Hz. Si une génératrice est utilisée et si elle manque de carburant, assurez-vous que («Sélecteur») "Selector Switch" de l'appareil est en position « OFF » avant de remettre la génératrice en marche; autrement, l'appareil pourrait être endommagé.



## ARRÊT DE L'APPAREIL

1.) Retourner sélecteur sur "OFF". Le ventilateur d'alimentation continuera à fonctionner jusqu'à ce que l'échangeur de chaleur est suffisamment refroidi. Ne pas couper l'alimentation principale jusqu'à ventilateur d'alimentation a cessé de fonctionner et "sélecteur" est sur "OFF".

**AVERTISSEMENT : AVANT DE RETIRER LES PROTECTEURS OU LES ARTICLES DE SÉCURITÉ, PLACEZ «SÉLECTEUR» EN POSITION « OFF » ET DÉBRANCHEZ L'ALIMENTATION PRINCIPALE PUISQUE LE VENTILATEUR D'ALIMENTATION FERA SON CYCLE AUTOMATIQUEMENT.**

## SI LA CHAUFFERETTE NE SE MET PAS EN MARCHÉ

1. APPUYEZ SUR LE BOUTON ROUGE DU CONTRÔLEUR BECKETT GENISYS SITUÉ SUR LE TABLEAU DE CONTRÔLE ET TENEZ-LE ENFONCÉ PENDANT 3 SECONDES POUR FAIRE LA REMISE À ZÉRO.
2. VÉRIFIEZ LE NIVEAU DE CARBURANT, LE FILTRE, LA BUSE ET LA CANALISATION D'ASPIRATION.
3. ASSUREZ-VOUS QUE L'ALIMENTATION ÉLECTRIQUE EST APPROPRIÉE ET QU'UN CÂBLAGE ÉGALEMENT APPROPRIÉ EST UTILISÉ.
4. SI L'APPAREIL NE S'ALLUME PAS APRÈS 3 TENTATIVES, CONSULTEZ VOTRE FOURNISSEUR POUR QUE LES TRAVAUX DE SERVICE SOIENT FAITS.

**NOTE : SI L'APPAREIL A ÉTÉ REMIS À ZÉRO UN CERTAIN NOMBRE DE FOIS SANS QUE L'ALLUMAGE NE SE FASSE -- N'ESSAYEZ PAS DE REMETTRE L'APPAREIL EN MARCHÉ : COMMUNIQUEZ AVEC UN TECHNICIEN DE SERVICE QUALIFIÉ.**

**NOTE : FONCTIONNEMENT AU MAZOUT – SI L'APPAREIL A ÉTÉ REMIS À ZÉRO UN CERTAIN NOMBRE DE FOIS SANS S'ALLUMER, DU MAZOUT SE SERA ACCUMULÉ DANS LA CHAMBRE DE COMBUSTION ! N'ESSAYEZ PAS DE DÉMARRER L'APPAREIL : COMMUNIQUEZ AVEC UN TECHNICIEN DE SERVICE QUALIFIÉ.**

---

## MISE EN GARDE

- 1.) **N'ARRÊTEZ PAS L'APPAREIL EN DÉBRANCHANT LE CORDON D'ALIMENTATION ÉLECTRIQUE. L'ÉCHANGEUR DE CHALEUR DOIT ÊTRE REFRIGÉRIÉ SUFFISAMMENT AVANT QUE L'ALIMENTATION NE SOIT COUPÉE.**
  - 2.) **CONSERVEZ TOUJOURS UNE RÉSERVE SUFFISANTE DE CARBURANT.**
  - 3.) **NE BRANCHEZ RIEN D'AUTRE QUE LE THERMOSTAT DANS LA PRISE « REMOTE STAT ».**
  - 4.) **EN MATIÈRE D'ÉLECTRICITÉ, OBSERVEZ LES EXIGENCES AFFICHÉES SUR LA PLAQUE SIGNALÉTIQUE OU CELLES DE LA RUBRIQUE DE CE MANUEL CONCERNANT LES EXIGENCES ÉLECTRIQUES.**
  - 5.) **SI VOUS UTILISEZ DU MAZOUT, NE METTEZ PAS L'APPAREIL EN MARCHÉ SI UNE QUANTITÉ EXCESSIVE DE MAZOUT S'EST ACCUMULÉE DANS LA CHAMBRE DE COMBUSTION.**
  - 6.) **SI VOUS UTILISEZ DU MAZOUT, NE REMPLISSEZ PAS LE RÉSERVOIR LORSQUE L'APPAREIL EST EN MARCHÉ.**
  - 7.) **LE CÂBLAGE D'ALIMENTATION ÉLECTRIQUE NE DOIT JAMAIS ÊTRE PLUS PETIT QUE CE QUI EST INDIQUÉ SUR LA PLAQUE SIGNALÉTIQUE ET DANS LES INSTRUCTIONS CONTENUES DANS CE MANUEL.**
  - 8.) **SI VOUS UTILISEZ DU MAZOUT, N'UTILISEZ PAS D'ESSENCE, D'HUILE DE CARTER DE MOTEUR OU UN MAZOUT PLUS LOURD QUE L'HUILE À FOURNAISE NO. 2.**
  - 9.) **NE METTEZ PAS L'APPAREIL EN MARCHÉ LORSQUE LA CHAMBRE DE COMBUSTION EST CHAUDE.**
  - 10.) **NE REMPLISSEZ PAS LE RÉSERVOIR QUAND L'APPAREIL EST EN MARCHÉ.**
  - 11.) **N'ENDOMMAGEZ PAS L'APPAREIL. DEMANDEZ À UN TECHNICIEN DE SERVICE COMPÉTENT DE FAIRE LES AJUSTEMENTS REQUIS.**
  - 12.) **LA TEMPÉRATURE MAXIMALE À LA SORTIE EST DE 280 °F**
  - 13.) **SI L'APPAREIL EST UTILISÉ À UNE ALTITUDE DE PLUS DE 2000 PI (610 m), LES VALEURS NOMINALES DE L'APPAREIL SONT RÉDUITES DE 4 POUR CENT POUR CHAQUE 1000 PI (305 m) D'ALTITUDE AU-DESSUS DU NIVEAU DE LA MER.**
-

**14.) N'UTILISEZ PAS CET APPAREIL SI DES COMPOSANTS ONT ÉTÉ SUBMERGÉS DANS L'EAU. COMMUNIQUEZ IMMÉDIATEMENT AVEC UN TECHNICIEN DE SERVICE QUALIFIÉ POUR QU'IL INSPECTE L'APPAREIL ET QU'IL REMPLACE LE CONTRÔLE DU GAZ QUI A ÉTÉ SUBMERGÉ SOUS L'EAU.**

**VALEURS ÉLECTRIQUES REQUISES : 15 A**

## INSTRUCTIONS D'INSTALLATION

- 1.) Les recommandations des autorités locales ayant juridiction doivent être suivies. Pour avoir les pratiques d'installation recommandées, consultez la norme CSA B139. (CANADA)
- 2.) En allumant le radiateur dans un espace fermé, prévoyez 1 pouce carré/1000 BTU (consultez la norme CSA B139-1962) pour permettre l'entrée d'air pour utiliser le radiateur.
- 3.) Pour l'alimentation électrique: 120 Volts 15 amps
- 4.) N'utilisez pas le radiateur dans les secteurs mal ventilés sans cheminée ou près de surfaces ou de matériaux combustibles. Étage non combustible doit s'étendre de 6 pieds de tous les côtés de l'appareil.

### NOTE : Espaces libres autour du radiateur :

DESSUS	3 pieds
CÔTÉS	3 pieds
EXTRÉMITÉ DE BRÛLEUR	3 pieds
DÉCHARGE	10 pieds
CONNECTEUR DE L'ÉVENT	3 pieds
PLANCHER	6 pieds

### RACCORDEMENTS DE LA CHEMINÉE

#### VENT POUR L'EXTÉRIEUR

#### POUR INSTALLATION SUR PLANCHER NON COMBUSTIBLES

Quand le radiateur est branché à une cheminée, cette dernière doit se terminer à la verticale sur au moins deux pieds de long. Les longueurs horizontales devraient s'élever graduellement d'une unité pour chaque longueur de 10 unités à partir du radiateur. Si des courants d'air descendants risquent de se produire, il faut utiliser un chapeau de cheminée. Toute la ventilation devrait observer les dispositions de la norme CSA B139 ou les codes locaux.

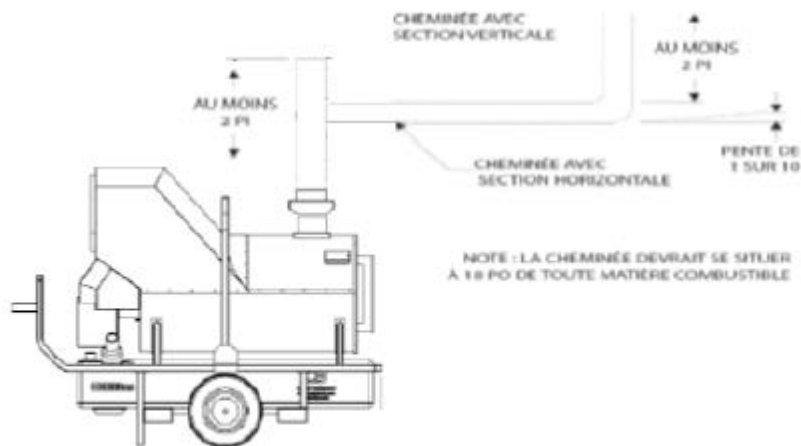
**ATTENTION : LA TEMPÉRATURE DE LA CHEMINÉE DE RADIATEUR PEUT ATTEINDRE 900 À 1000 °F; PAR CONSÉQUENT, CELA PEUT ÊTRE DANGEREUX POUR LES HUMAINS ET MÊME DÉPASSER LA TEMPÉRATURE D'AUTO-ALLUMAGE DE BIEN DES MATÉRIAUX. IL FAUT DONC ÊTRE PRUDENT CONCERNANT L'EMPLACEMENT DU RADIATEUR ET L'UTILISATION DE PROTECTEURS ISOLÉS EST VIVEMENT RECOMMANDÉE.**

Les canalisations horizontales de mise à l'air libre doivent toujours se terminer par une longueur verticale d'au moins 24 po.

NOTE : POUR AVOIR UNE COMBUSTION OPTIMALE, IL EST RECOMMANDÉ DE TOUJOURS UTILISER UN ÉVENT EN C DE CHEMINÉE DE 30 PO AVEC UN CAPUCHON DE PROTECTION CONTRE LA PLUIE EN TOUT TEMPS.

Tirage de la cheminée recommandée - 0,05 pouces de colonne d'eau

## ESPACES LIBRES AUTOUR DE L'INSTALLATION



LONGUEURS MAXIMALES PERMISES DES CANALISATIONS BLAZE 600 D – (Max of 24ft en CANALISATION D'ADMISSION

CONDUITS DE RETOUR 16" ou option 2 X 12"

ALIMENTATION CONDUITS 2 X 12 "ou 16" en option

**CE RADIATEUR PEUT ÊTRE UTILISÉ AVEC OU SANS CANALISATIONS; LORSQU'IL EST BRANCHÉ SUR DES CANALISATIONS, ÉVITEZ LES REPLIS OU LES COUDES COURTS. SI L'ADMISSION D'AIR OU SI LA DÉCHARGE NE SONT PAS SUFFISANTS, LE RADIATEUR SURCHAUFFERA.**

## INSTRUCTIONS D'ENTRETIEN DU BLAZE 600 D TURBO

**AVERTISSEMENT : CHAQUE RADIATEUR DE CONSTRUCTION DEVIENDRAIT ÊTRE INSPECTÉ AVANT CHAQUE UTILISATION ET AU MOINS CHAQUE ANNÉE PAR UNE PERSONNE DE SERVICE QUALIFIÉE. UN ENTRETIEN INCORRECT PEUT DONNER UN MAUVAIS FONCTIONNEMENT DU RADIATEUR ET DES DOMMAGES GRAVES POURRAIENT SE PRODUIRE.**

## **TUYAUX**

Les tuyaux doivent être visuellement inspectés avant chaque utilisation du radiateur. S'il y a une abrasion ou une usure excessive ou si le tuyau est coupé, il doit être remplacé avant d'utiliser le radiateur. Les tuyaux de rechange doivent être ceux indiqués par le fabricant.

## **RÉGULATEUR DE TEMPÉRATURE ET THERMOCOUPLE**

Les protocoles du régulateur de température devraient être vérifiés avant chaque saison de chauffage pour s'assurer que le brûleur s'éteindra si la température dépasse 295 °F à la canalisation de sortie. Cela peut être fait en restreignant le débit d'air qui passe dans l'appareil. Lorsque les vérifications sont terminées, retirez les restrictions parce que les canalisations d'entrée et de sortie doivent être ouvertes pour que l'appareil fonctionne correctement.

Le niveau de température de 90 °F du régulateur a été choisi pour permettre un préchauffage de l'échangeur de chaleur et s'assurer que seul l'air réchauffé entre dans l'espace à chauffer. Lorsque les besoins en chaleur sont comblés, le régulateur de température continue de faire fonctionner le ventilateur jusqu'à ce que l'échangeur de chaleur se soit refroidi suffisamment. Cette fonction aide à prolonger la durée de vie de l'échangeur de chaleur. Le régulateur de température doit être remplacé si le moteur du ventilateur ne s'arrête pas lorsque l'échangeur de chaleur s'est refroidi.

Protocoles du régulateur de température

Le ventilateur se met en marche à 90 °F

La sortie # 2 est réglée à 280 °F (ce réglage éteint le brûleur lorsque la température parvient à 280 °F et il le remet en marche lorsque la température parvient à 275 °F.) Si le brûleur se remet à zéro, le voyant s'allume; il faut alors aller dans le compartiment où se trouve le brûleur dans la porte qui se trouve sous l'alimentation en air. Pour le brûleur au mazout Beckett CF800, il faut appuyer sur le régulateur Beckett Genisys situé sur le tableau de contrôle.

Il ya un interrupteur à haute limite fixé à 295 ° F (Cela entraînera graveur de sortir sur haute temp.)

Pendant la période de refroidissement, la température de l'appareil revient à 80 °F avant de s'arrêter.

## **ÉLECTRICITÉ**

Assurez-vous que tous les connecteurs des conduits (BX) sont bien serrés. Ouvrez la porte du tableau de contrôle et le compartiment du brûleur; assurez-vous que les raccordements sont bien serrés et qu'aucun câblage effiloché n'est exposé.

## **VENTILATEUR**

Voyez si de la poussière ou de la saleté s'est accumulée sur les pales du ventilateur. Faites fonctionner le brûleur pour voir si le ventilateur vibre. Remplacez les pales du ventilateur si vous constatez des vibrations. Le débit d'air de combustion et de ventilation ne doit pas être obstrué. Vérifiez le ventilateur et assurez-vous que le moteur et les pales sont en bon état de fonctionnement.

## **MOTEUR**

Aucune lubrification n'est nécessaire puisque les roulements sont scellés. Nettoyez le moteur de toute poussière ou saleté.

## **ÉCHANGEUR DE CHALEUR**

Si de la fumée se produit même après avoir ajusté la bande d'air, l'échangeur de chaleur devrait être nettoyé à fond.

## **FILTRE DU COMBUSTIBLE (MAZOUT)**

Remplacez la cartouche à tous les six mois d'utilisation normale.

REMARQUE: FLUX DE COMBUSTION ET DE VENTILATION NE PUISSE ÊTRE OBSTRUÉE

## DÉTECTEUR DE FLAMME

Lorsqu'on entretient l'appareil, il faut l'allumer et le faire fonctionner. Après qu'il a fonctionné quelques minutes, appuyer sur le bouton rouge de la commande principale, le maintenir enfoncé pendant une seconde puis relâcher. Si le voyant clignote une ou deux ou même trois fois, c'est que la cellule au CdS fonctionne correctement. S'il clignote quatre fois, vérifier que l'alignement est bon et que la flamme est correcte. Si le tout est correct, il est recommandé de nettoyer la surface de la cellule au CdS à l'aide d'un chiffon doux. Si le voyant clignote quatre fois, suivre les étapes cidessus. S'il clignote toujours quatre fois, remplacer la cellule au CdS.

LE VOYANT CLIGNOTE	RÉSISTANCE DE LA CELLULE AU CdS
1	0-400 Ohms
2	400-800 Ohms
3	800-1600 Ohms
4	>=1600 Ohms

## BRÛLEUR

L'espacement des électrodes doit être vérifié et réglé, au besoin, après que l'on a remplacé le gicleur. Le gicleur doit être remplacé chaque année ou plus tôt s'il est impossible de régler le brûleur pour qu'il fonctionne correctement. La dimension et le type de gicleur nécessaire sont inscrits sur la plaque signalétique.

Distance entre les extrémités des électrodes doit être de 5/32 "  
Extrémités des électrodes doit être de 1/4 "à partir du centre buse  
Extrémités des électrodes doit être 1/8 "plus élevé que buse

La buse et la ligne d'assemblage buse  
Incapacité à établir et à maintenir les dimensions d'électrodes et d'espacement des buses correctement peut provoquer l'allumage du brûleur incorrect ou une mauvaise combustion. Cela pourrait entraîner des blessures graves, la mort ou des dommages matériels importants.

**APRÈS L'INSPECTION, UN ESSAI COMPLET DE COMBUSTION DOIT ÊTRE FAIT APRÈS CHAQUE PÉRIODE DE SERVICE ANNUEL DU RADIATEUR POUR MAINTENIR UN RENDEMENT MAXIMUM ET LA FIABILITÉ DU RADIATEUR.**

**AVERTISSEMENT : COUPEZ L'ALIMENTATION EN COMBUSTIBLE ET L'ALIMENTATION ÉLECTRIQUE AVANT DE FAIRE DES TRAVAUX DE SERVICE. LE CIRCUIT DE 120 VOLTS PRÉSENTE UN DANGER D'ÉLECTROCUTION.**

# RÉGLAGES DE L'AIR DE COMBUSTION

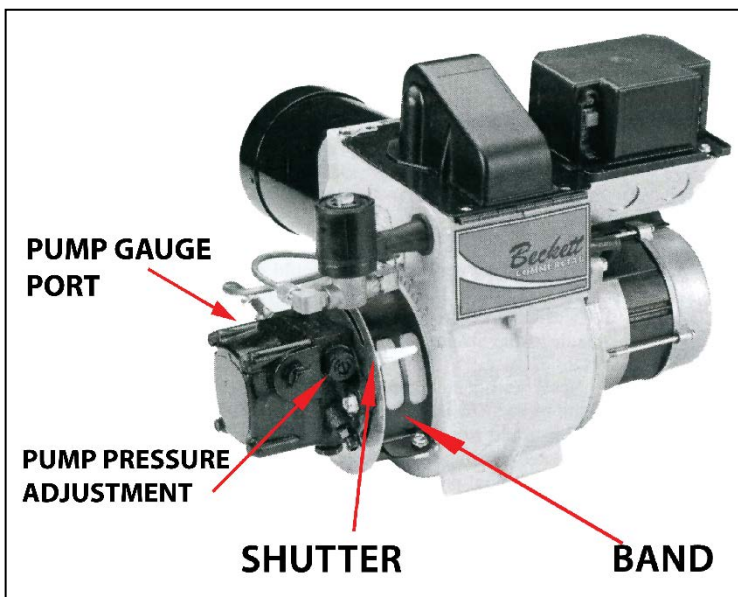
BLAZE 600 D FICHE TECHNIQUE	BLAZE 600D-BECKETT (OIL)
Buse	2.75 GPH X 60 B
Pression à la pompe	175 PSI
Réglage de la tête	1
Réglage de l'air (Beckett-Shutter/Band)	3/0

**NOTE :** Les réglages ci-dessus sont des approximations fondées sur un équipement propre et en bon ordre de fonctionnement. Les réglages d'air de combustion varient selon l'endroit, l'altitude et le type de combustible utilisé.

**AVERTISSEMENT : UN MANQUE D'AIR DE COMBUSTION PEUT CAUSER UN FEU, DES ODEURS DANS LES ESPACES FERMÉS ET DES REFOULEMENTS SUSCEPTIBLES DE CAUSER DES NAUSÉES OU UNE ASPHYXIE DES OCCUPANTS.**

**TOUS LES AJUSTEMENTS D'AIR DOIVENT ÊTRE FAITS PAR UN TECHNICIEN DE SERVICE QUALIFIÉ**

## BECKETT CF800



## RÉGLAGES DE L'AIR DE COMBUSTION

Afin de régler correctement l'air de combustion, utiliser un analyseur étalonné et un testeur de fumée pour assurer une combustion complète. Le débit d'entrée l'air doit être réglé à la valeur correcte afin d'obtenir 5 % d'oxygène et 12 % de CO<sub>2</sub>. Pour obtenir une efficacité de combustion optimale, la commande d'air de combustion doit être réglée afin de produire au plus une fumée N<sup>o</sup> 1 (échelle de Bacharach). Le brûleur Beckett est doté d'une bande d'air étalonnée qui aide à régler le débit d'air primaire afin d'obtenir un bon mélange huile/air. Régler l'alimentation de la bande d'air en desserrant les vis de blocage et en déplaçant le volet d'air et, au besoin, la bande d'air en vrac. Pour commencer, réduire le débit d'air jusqu'à ce que l'appareil commence à produire de la fumée. Ensuite,

augmenter le débit d'air jusqu'à ce qu'il n'y ait plus de fumée. Vérifier s'il y a échauffement excessif dans l'échangeur de chaleur. Un débit d'air insuffisant entraîne la projection de flamme et réduit la durée de vie de l'échangeur. Augmenter le débit d'air jusqu'à ce que de l'accumulation de chaleur ait été éliminée. Vérifier si l'allumage est bon. Lorsque le tout fonctionne correctement, resserrer les vis et les mécanismes de blocage.

Les réglages doivent être effectués pendant que l'appareil fonctionne et après cinq minutes de brûlage. La rotation des bandes d'air sur le boîtier du brûleur permet de faire les réglages.

## RÉGLAGE DES TAUX DE BRÛLAGE

- 1.) Choisir le réglage requis en BTU. Par exemple, 588,000 BTU
- 2.) Vérifier la plaque signalétique pour la pression recommandée de la pompe. 175 psi est recommandé.
- 3.) Vérifier la plaque signalétique pour la pression d'air. Un réglage de pression d'air de 3/0 est recommandé.
- 4.) Installer un manomètre dans l'orifice de la pompe prévu à cet effet. Démarrer le brûleur et le faire fonctionner pendant cinq minutes jusqu'à ce que le ventilateur démarre.
- 5.) Régler la pression de la pompe à 175 PSI.
- 6.) Régler la bande d'air à No 3 et régler le volet d'air à No 0. Immobiliser la bande d'air et le volet.
- 7.) Vérifier le niveau de fumée et de CO<sub>2</sub>. Une fois atteint, bande d'air de verrouillage et de l'obturateur en place.
- 8.) Éteindre le brûleur, laisser l'appareil se refroidir et retirer le manomètre. L'appareil est maintenant réglé à 588,000 BTU's.

## FONCTIONNEMENT DU THERMOSTAT

L'appareil BLAZE 600 D peut fonctionner à l'aide d'une commande thermostatique. Un thermostat facultatif est disponible pour la commande thermostatique pour l'espace que l'on doit chauffer. Pour brancher un thermostat, il suffit de le brancher à une rallonge et celle-ci à la prise indiquée « REMOTE STAT ». Vérifier que le sélecteur se trouve à la position STAT ON. Poser le thermostat dans le local qui doit être chauffé. L'appareil s'arrête maintenant à la température réglée sur le thermostat.