

Section 6 • Parts List

Figure 6-1 • Ducts & Accessories

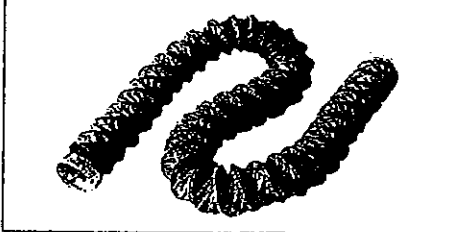
Part #: TD3036-1
12 inch Vinyl Ducting w/black wearband



Part #: TD012
12 inch Green Canvas Ducting (3 Pin)



Part #: TD3035-1
6 inch Vinyl Ducting w/black wearband



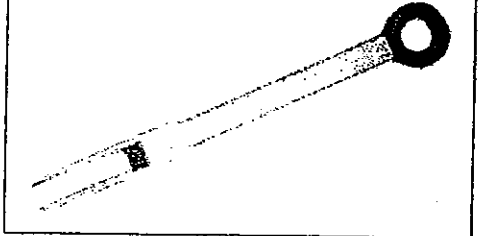
Part #: TD006V
6 inch Vinyl Ducting



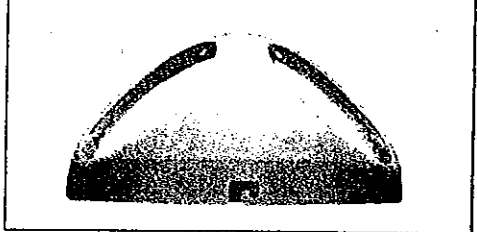
Part #: TD012V
12 inch Vinyl Ducting



Part #: 04040027
Extended Tow Bar



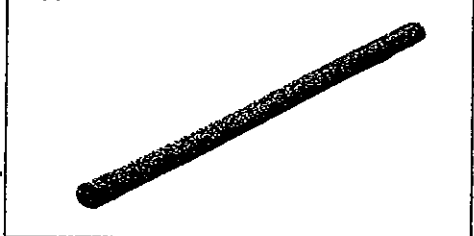
Part #: FT921
Adapter, 12 inch to 6 inch Duct



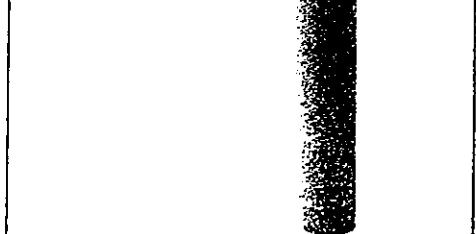
Part #: TD006
6 inch Canvas Ducting



Part#: 04100092
Support Wood



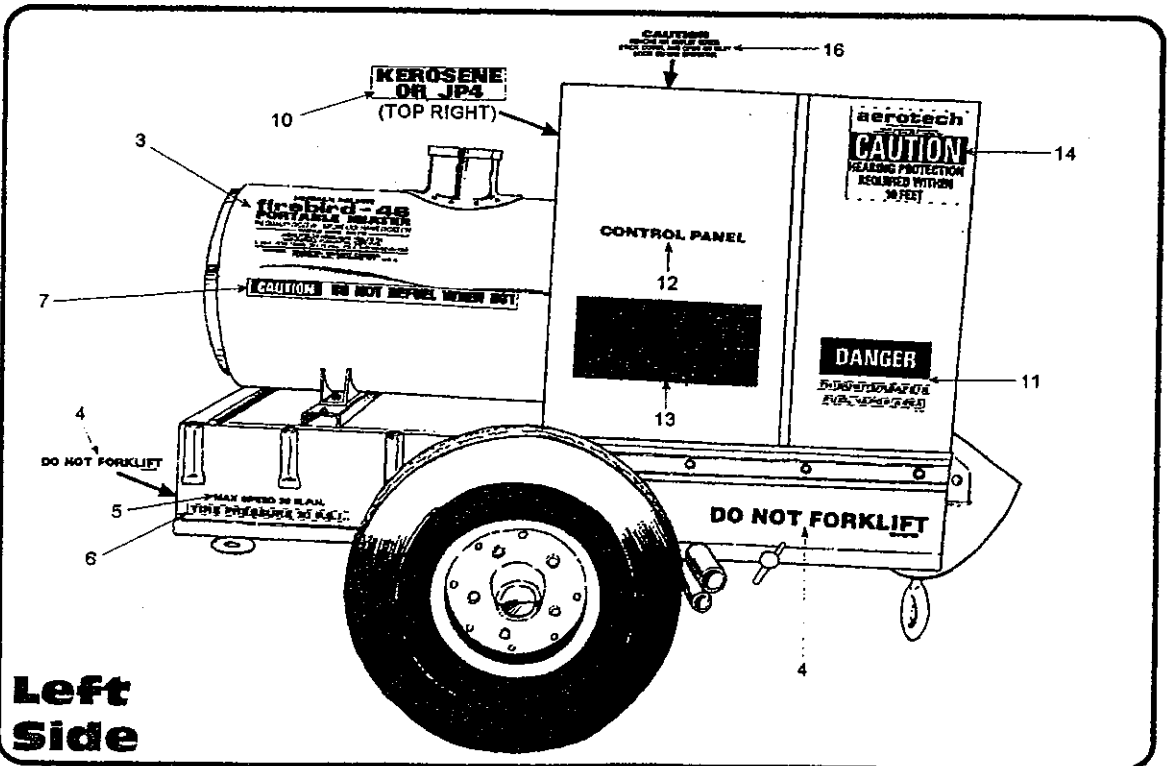
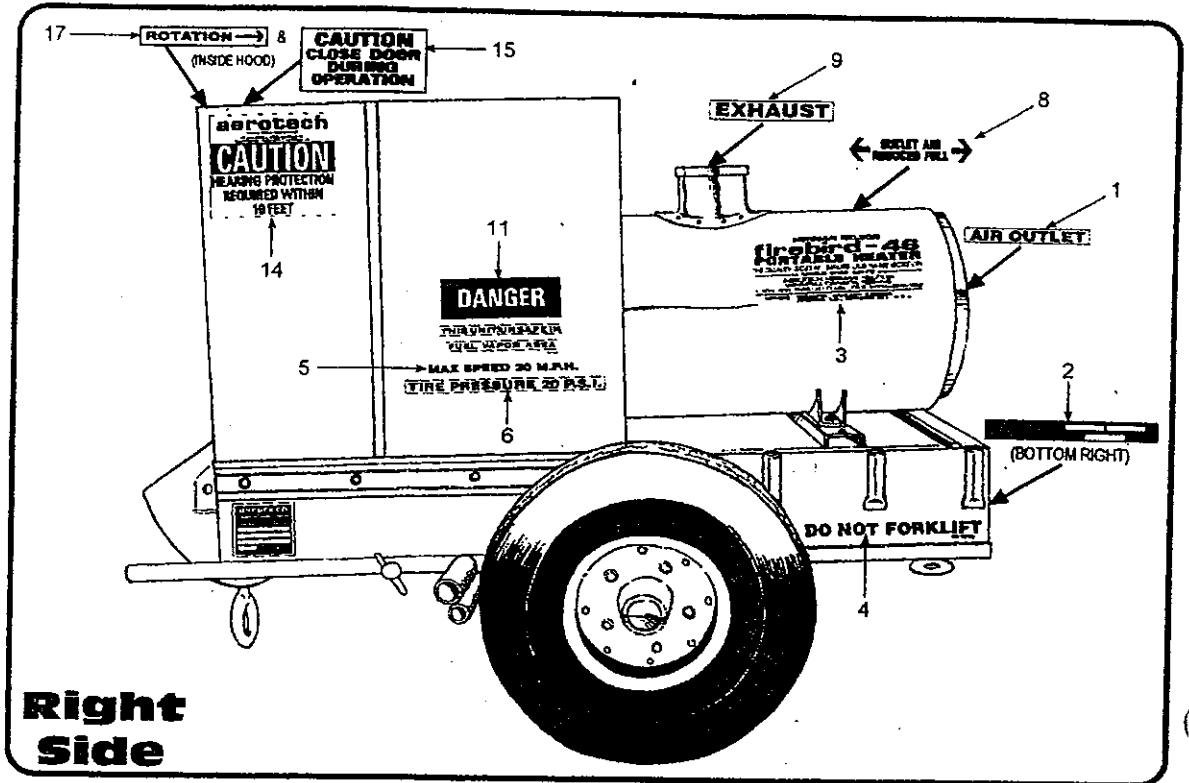
Part#: 04100016
Stack Exhaust

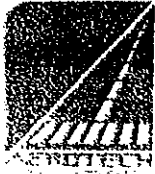




Section 6 • Parts List

Figure 6-2 • 400-46 Decal Configuration

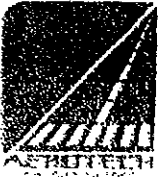




Section 6 • Parts List

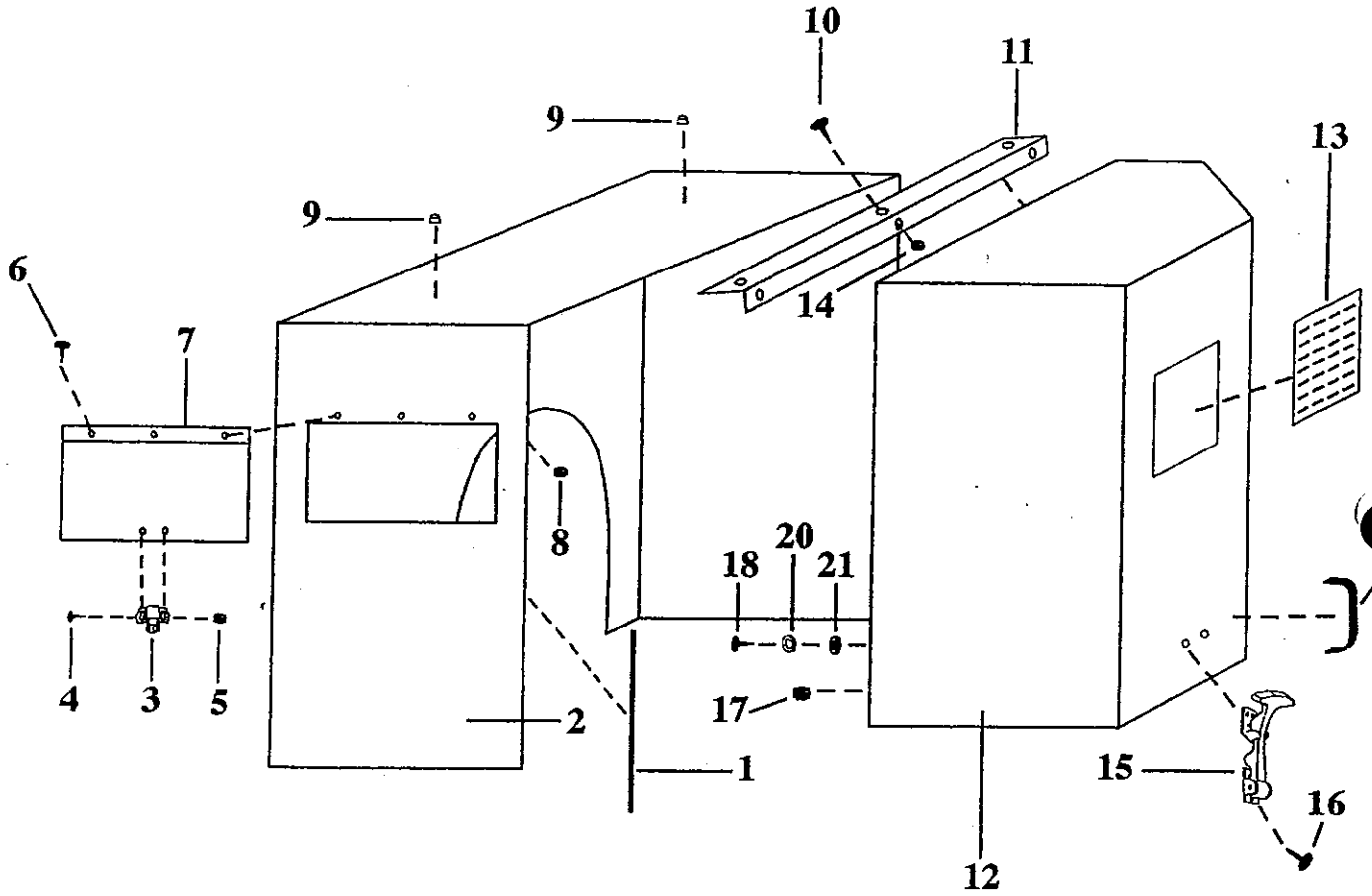
Figure 6-2 • Decals Parts List

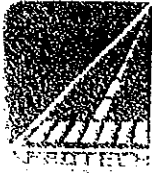
| FIG. & INDEX #NO. | PART #NO. | DESCRIPTION | UNITS PER ASSY. |
|-------------------|-----------|---|-----------------|
| 6-2- | | Decals | Ref. |
| 1 | 04010207 | • DECAL "AIR OUTLET" | 1 |
| 2 | TC 4151-1 | • PLATE, TRAILER "I.D." | 1 |
| 3 | 05000128 | • DECAL "FIREBIRD-46" | 2 |
| 4 | 04110199 | • DECAL "DO NOT FORKLIFT" | 3 |
| 5 | 04010211 | • DECAL "MAX SPEED 20 MPH" | 2 |
| 6 | 04010212 | • DECAL "TIRE PRESSURE 20 PSI" | 2 |
| 7 | 05000127 | • DECAL "DO NOT REFUEL WHEN HOT" | 1 |
| 8 | 05000126 | • DECAL "OUTLET AIR" REDUCED FULL | 1 |
| 9 | 05000129 | • DECAL "EXHAUST" | 1 |
| 10 | 05000125 | • DECAL "KEROSENE OR JP4" | 1 |
| 11 | 04010152 | • DECAL "DANGER, THIS UNIT UNSAFE IN FUEL VAPOR AREA" | 2 |
| 12 | 05000142 | • DECAL "CONTROL PANEL" | 1 |
| 13 | 04110229 | • INFORMATION PLATE "STARTING PROCEDURES" | 1 |
| 14 | 05000130 | • DECAL "CAUTION, HEARING PROTECTION" | 2 |
| 15 | 04010120 | • DECAL "CAUTION, CLOSE DOOR DURING OPERATION" | 1 |
| 16 | 04010209 | • DECAL "CAUTION, REMOVE AIR OUTLET" | 1 |
| 17 | 04010205 | • DECAL "ROTATION" | 1 |



Section 6 • Parts List

Figure 6-3 • Hood Assembly





Section 6 • Parts List

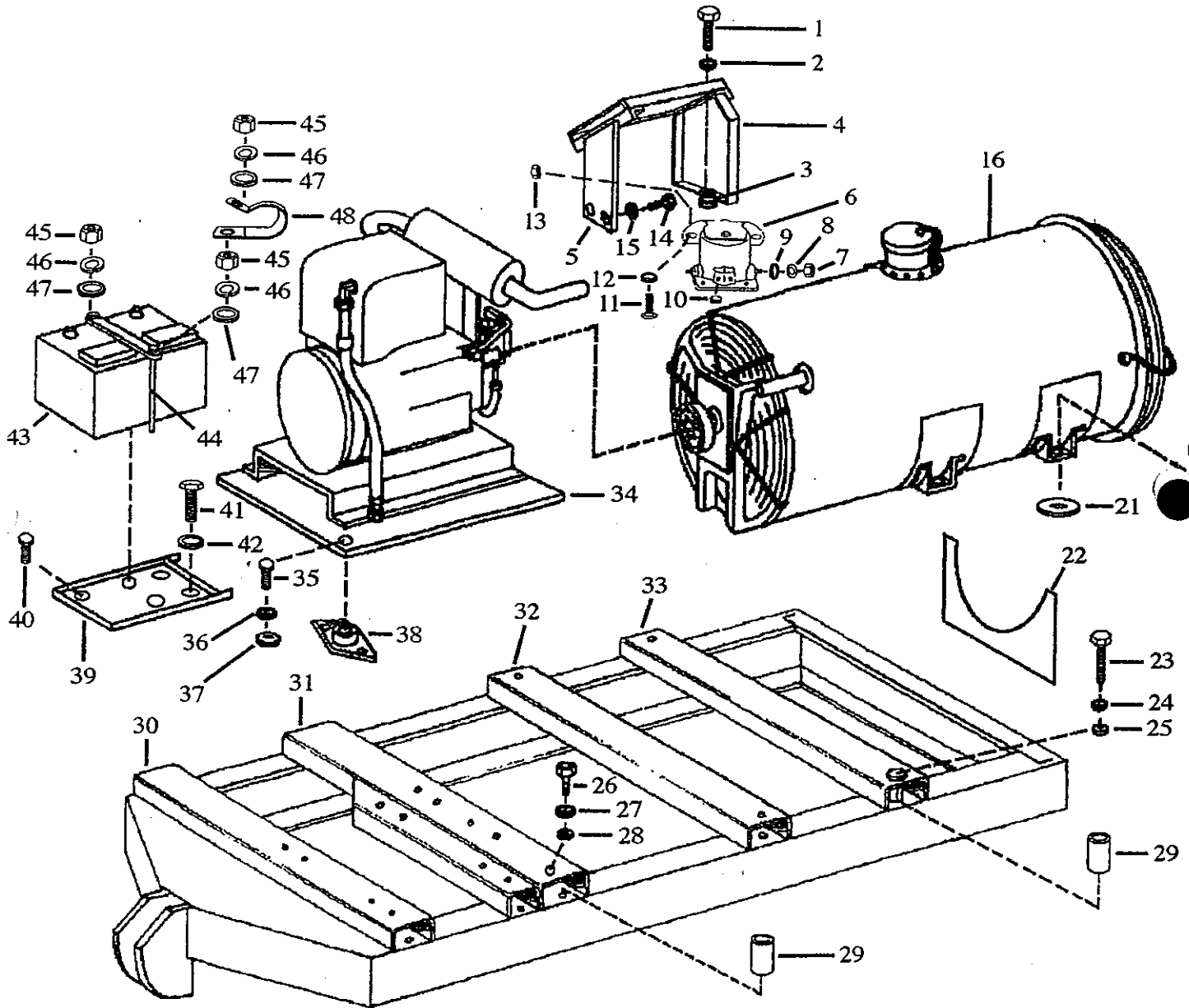
Figure 6-3 • Hood Assembly

| FIG. & INDEX #NO. | PART #NO. | DESCRIPTION | UNITS PER ASSY. |
|-------------------|-----------|------------------------------|-----------------|
| 6-3- | | Hood Assembly | Ref. |
| 1 | 05000140 | • WEATHER STRIPS, HOOD | 4 |
| 2 | 05000121 | • HOOD, REAR | 1 |
| 3 | 04010061 | • LATCH, ACCESS DOOR | 1 |
| 4 | common | • SCREW 6-32 x 3/4 in. | 2 |
| 5 | common | • NUT-KEP 6-32 | 2 |
| 6 | common | • SCREW 10-24 x 1/4 in. | 3 |
| 7 | 04110224 | • ACCESS DOOR, CONTROL PANEL | 1 |
| 8 | common | • NUT-KEP 10-24 | 3 |
| 9 | 05000123 | • HOOD REST, RUBBER | 2 |
| 10 | common | • SCREW 10-24 x 3/4 in. | 5 |
| 11 | 05000141 | • HINGE, HOOD | 1 |
| 12 | 05000120 | • HOOD, FORWARD | 1 |
| 13 | 05000124 | • LOOVED ALUMINUM PLATE | 2 |
| 14 | common | • NUT-KEP 10-24 | 5 |
| 15 | 05000122 | • LATCH, HOLD DOWN | 2 |
| 16 | common | • SCREW 10-24 x 1/2 in. | 4 |
| 17 | common | • NUT-KEP 10-24 | 4 |
| 18 | common | • SCREW 10-24 x 1/2 in. | 2 |
| 19 | 05000139 | • HANDLE, HOOD | 1 |
| 20 | common | • WASHER LOCK #10 | 2 |
| 21 | common | • WASHER #10 | 2 |



Section 6 • Parts List

Figure 6-4 • Heater Assembly



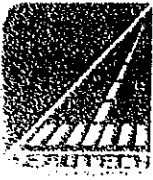


Section 6 • Parts List

Figure 6-4 • Heater Assembly

| FIG. & INDEX #NO. | PART #NO. | DESCRIPTION | UNITS PER ASSY. |
|-------------------|------------|--|-----------------|
| 6-4- | | Heater Assembly | Ref. |
| 1 | common | • BOLT 1/4-20 x 1 3/4 in. | 4 |
| 2 | common | • WASHER, FLAT 1/4 in. | 4 |
| 3 | 04100179 | • MOUNT, RESILIENT, PANEL | 4 |
| 4 | 05000119 | • PANEL SUPPORT (REAR) | 1 |
| 5 | 05000118 | • PANEL SUPPORT (FORWARD) | 1 |
| 6 | 04100139 | • SOLENOID, PREHEAT | 1 |
| 7 | common | • NUT 5/16-20 | 2 |
| 8 | common | • WASHER, LOCK 5/16 in. | 2 |
| 9 | common | • WASHER, FLAT 5/16 in. | 2 |
| 10 | common | • LOCKNUT | 2 |
| 11 | common | • BOLT 1/4-20 x 3/4 in. | 2 |
| 12 | common | • WASHER, FLAT 1/4 | 2 |
| 13 | common | • NUT-KEP 1/4-20 | 2 |
| 14 | common | • BOLT 5/16-18 x 3/4 in. | 4 |
| 15 | common | • WASHER, LOCK 5/16 in. | 4 |
| 16 | no number | • HEAT EXCHANGER ASSY (SEE FIG. 6-15 FOR DETAILED BREAKDOWN) | 1 |
| 17 | common | • BOLT 5/16-18 x 3/4 in. | 4 |
| 18 | common | • WASHER, LOCK 5/16 in. | 4 |
| 19 | common | • WASHER, FLAT 5/16 in. | 4 |
| 20 | TA218A | • WASHER | 4 |
| 21 | MS27183-14 | • WASHER, BARRY R18733-7 | as required |
| 22 | 05000114 | • LOWER BULKHEAD | 1 |
| 23 | common | • BOLT 1/4-20 x 1 3/4 in. | 4 |
| 24 | common | • WASHER, LOCK 1/4 in. | 4 |

continued on next page...



Section 6 • Parts List

Figure 6-4 • Heater Assembly

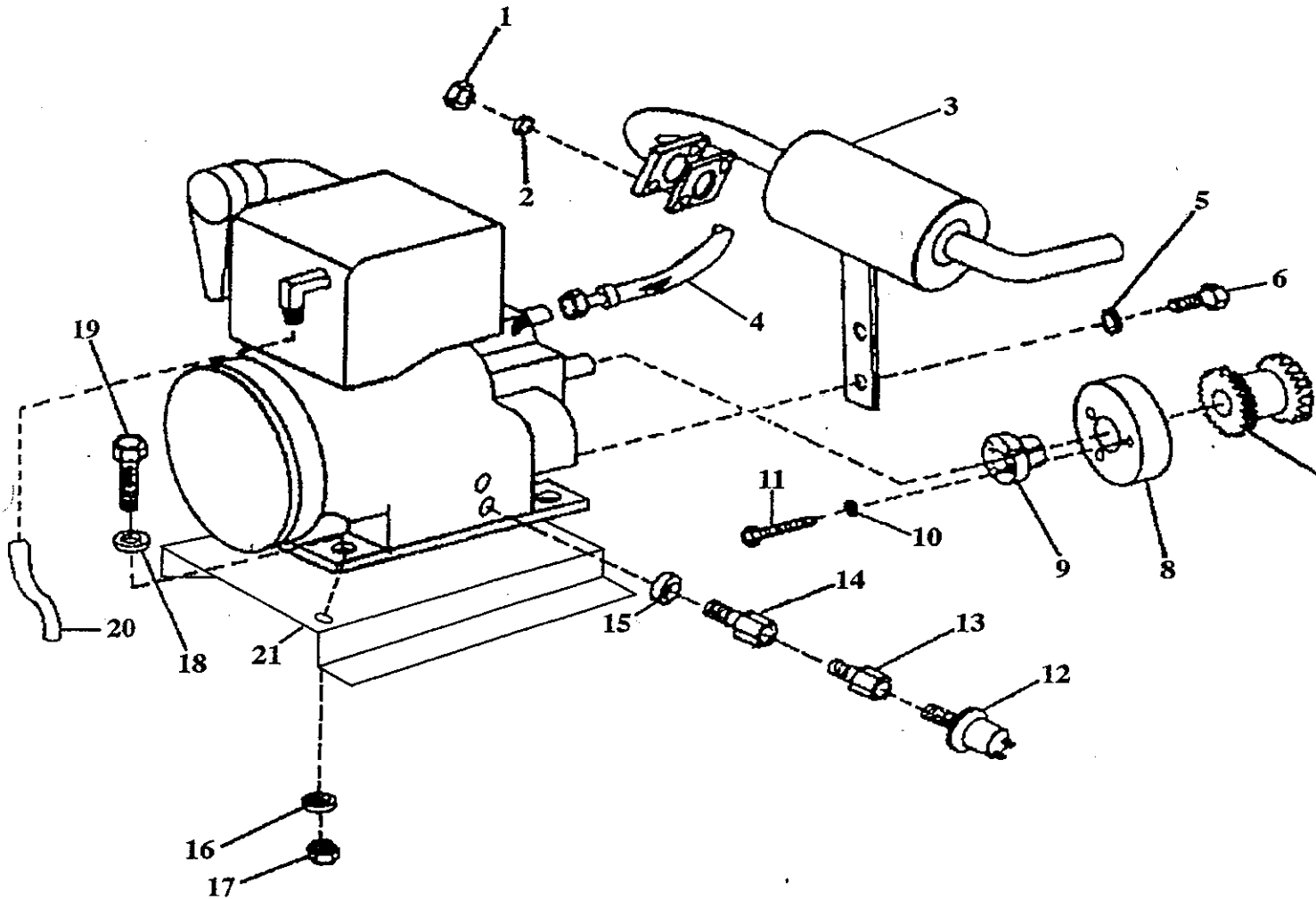
continued from page 48...

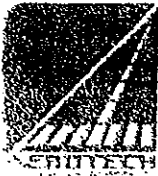
| FIG. & INDEX #NO. | PART #NO. | DESCRIPTION | UNIT PER ASSY |
|-------------------|----------------|---------------------------------------|---------------|
| 6-4- | | Heater Assembly | Ref. |
| 25 | common | • WASHER, FLAT 1/4 in. | 4 |
| 26 | common | • BOLT 1/4-20 x 2 in. | 4 |
| 27 | common | • WASHER, LOCK 1/4 in. | 4 |
| 28 | common | • WASHER, FLAT 1/4 in. | 4 |
| 29 | 04130024-2 | • BRAKE SPACER | 8 |
| 30 | 05000135 | • ENGINE SUPPORT (FORWARD) | 1 |
| 31 | 05000136 | • ENGINE SUPPORT (REAR) | 1 |
| 32 | 05000137 | • HEAT EXCHANGER SUPPORT (FORWARD) | 1 |
| 33 | 05000138 | • HEAT EXCHANGER SUPPORT (REAR) | 1 |
| 34 | 05000145 | • PLATE, ENGINE MOUNT | 1 |
| 35 | common | • BOLT 5/16-18 x 1 3/4 in. | 5 |
| 36 | common | • WASHER LOCK INTERNAL TOOTH 5/16 in. | 5 |
| 37 | common | • WASHER, FLAT 5/16 in. | 5 |
| 38 | 04100141 mod B | • MOUNT, RESILIENT, ENGINE | 5 |
| 39 | 05000117 | • BATTERY TRAY | 1 |
| 40 | common | • SCREW, FLATHEAD 1/4 x 3/4 in. | 2 |
| 41 | common | • BOLT 1/4-20 x 3/4 in. | 2 |
| 42 | common | • WASHER, FLAT 1/4 in. | 2 |
| 43 | 13130 | • BATTERY 12 VOLT | 1 |
| 44 | 05000146 | • BATTERY HOLD DOWN | 1 |
| 45 | common | • NUT 5/16-18 | 3 |
| 46 | common | • WASHER, LOCK 5/16 in. | 3 |
| 47 | common | • WASHER, FLAT 5/16 in. | 3 |
| 48 | 46-900729-4 | • CLAMP | 1 |



Section 6 • Parts List

Figure 6-5 • Diesel Engine





Section 6 • Parts List

Figure 6-5 • Diesel Engine

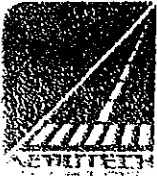
| FIG. & INDEX #NO. | PART #NO. | DESCRIPTION | UNITS PER ASSY |
|-------------------|---------------|--|----------------|
| 6-5- | | Engine, Diesel (see supplement for detailed breakdown) | Ref. |
| 1 | common | • NUT 5/16-24 | 2 |
| 2 | common | • WASHER LOCK 5/16 in. | 2 |
| 3 | 04100106 | • MUFFLER - LISTER PETTER | 1 |
| | 0510009-2 | - YANMAR | 1 |
| | 0510009-3 | - KUBOTA | 1 |
| 4 | 04100157 | • FUEL LINE, ENGINE FLEX | 1 |
| 5 | common | • WASHER 5/16 in. | 2 |
| 6 | common | • BOLT 5/16-18 x 3/4 in. | 2 |
| 7 | 04010238 | • SLEEVE, FLEX COUPLING | 1 |
| 8 | 04100199 | • DRIVE COUPLING - LISTER PETTER | 1 |
| | TM3917-3 | - YANMAR | 1 |
| | 04100199 | - KUBOTA | 1 |
| 9 | 04110198 | • SLEEVE BUSHING | 1 |
| 10 | common | • WASHER #10 | 3 |
| 11 | common | • SCREW 10-24 x 1 in. | 3 |
| 12 | 04100114 | • SWITCH, OIL PRESSURE | 1 |
| 13 | BF7842 | • ADAPTER | 1 |
| 14 | BF7874 | • COUPLER | 1 |
| 15 | 05100010 | • GASKET | 1 |
| 16 | common | • WASHER, LOCK 3/8 in. | 4 |
| 17 | common | • NUT 3/8-16 in. | 4 |
| 18 | common | • WASHER, FLAT 3/8 in. | 4 |
| 19 | common | • BOLT 3/8-16 x 1 1/2 in. | 4 |
| 20 | TMF3210 mod B | • FUEL LINE, RETURN | 1 |
| 21 | 0510011-1 | • BASE PLATE, ENGINE MOUNT - LISTER PETTER | 1 |
| | 0510011-2 | - YANMAR | 1 |
| | 0510011-3 | - KUBOTA | 1 |

SUPPLEMENT

THE BT400-46 DIESEL HEATERS MANUFACTURED AFTER JANUARY 1, 2000 HAVE BEEN EQUIPPED WITH A SPECIAL IGNITOR COIL WHICH REPLACES THE MAGNETO FORMERLY USED ON THESE MODELS.

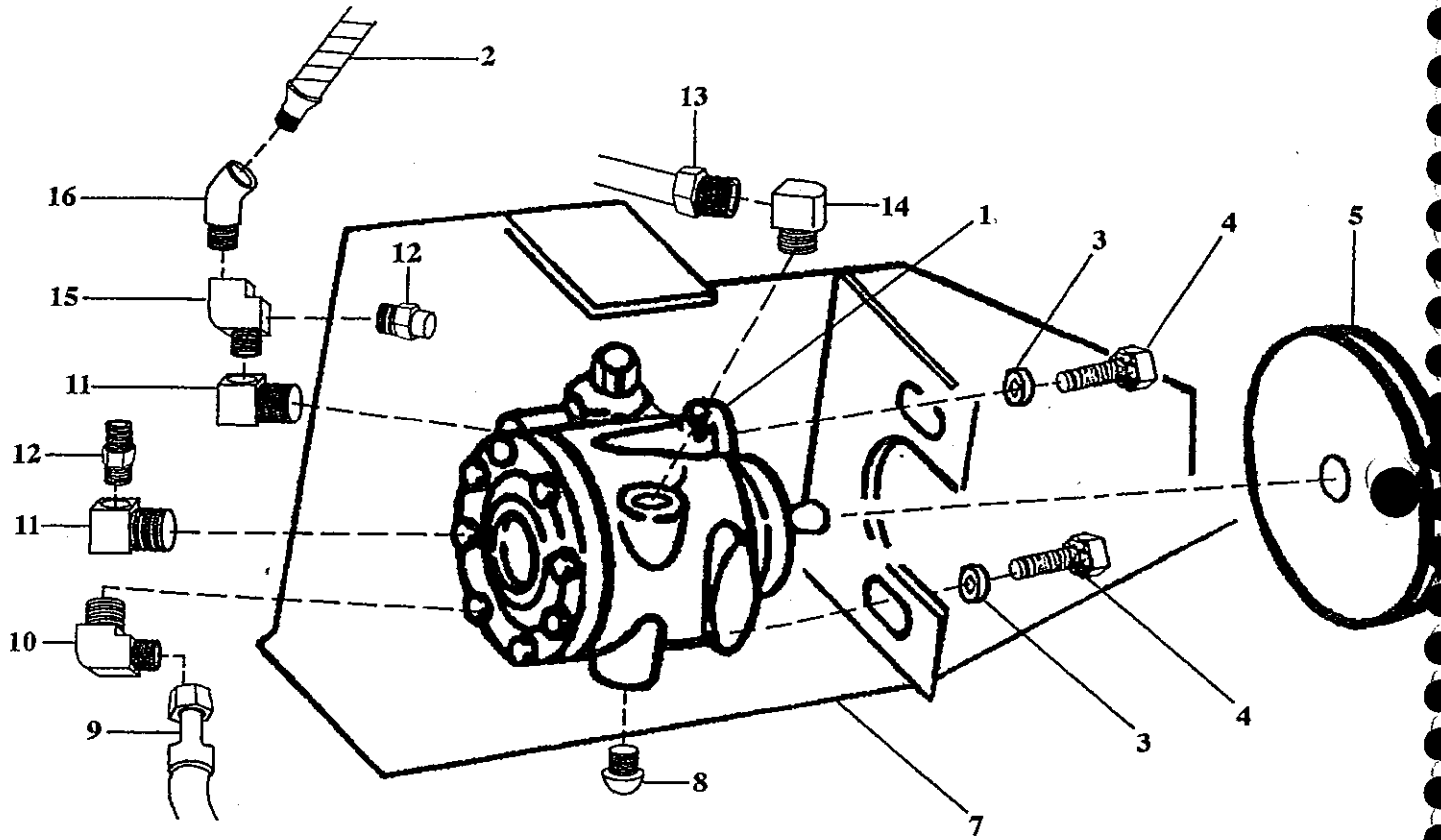
THE NEW IGNITOR COIL INCORPORATES AN ELECTRONIC INTERRUPTER WHICH CONVERTS BATTERY VOLTAGE TO A HIGH VOLTAGE ALTERNATING CURRENT WHICH IS DELIVERED TO THE IGNITOR PLUG THROUGH THE IGNITION CABLE.

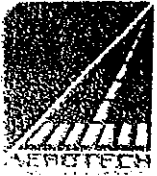
- PART #04100112 - COIL, IGNITION**
- PART #04100156 - CABLE IGNITION**
- PART #MS15290 - BELT**



Section 6 • Parts List

Figure 6-8 • Fuel System

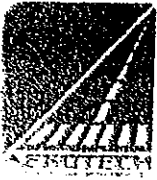




Section 6 • Parts List

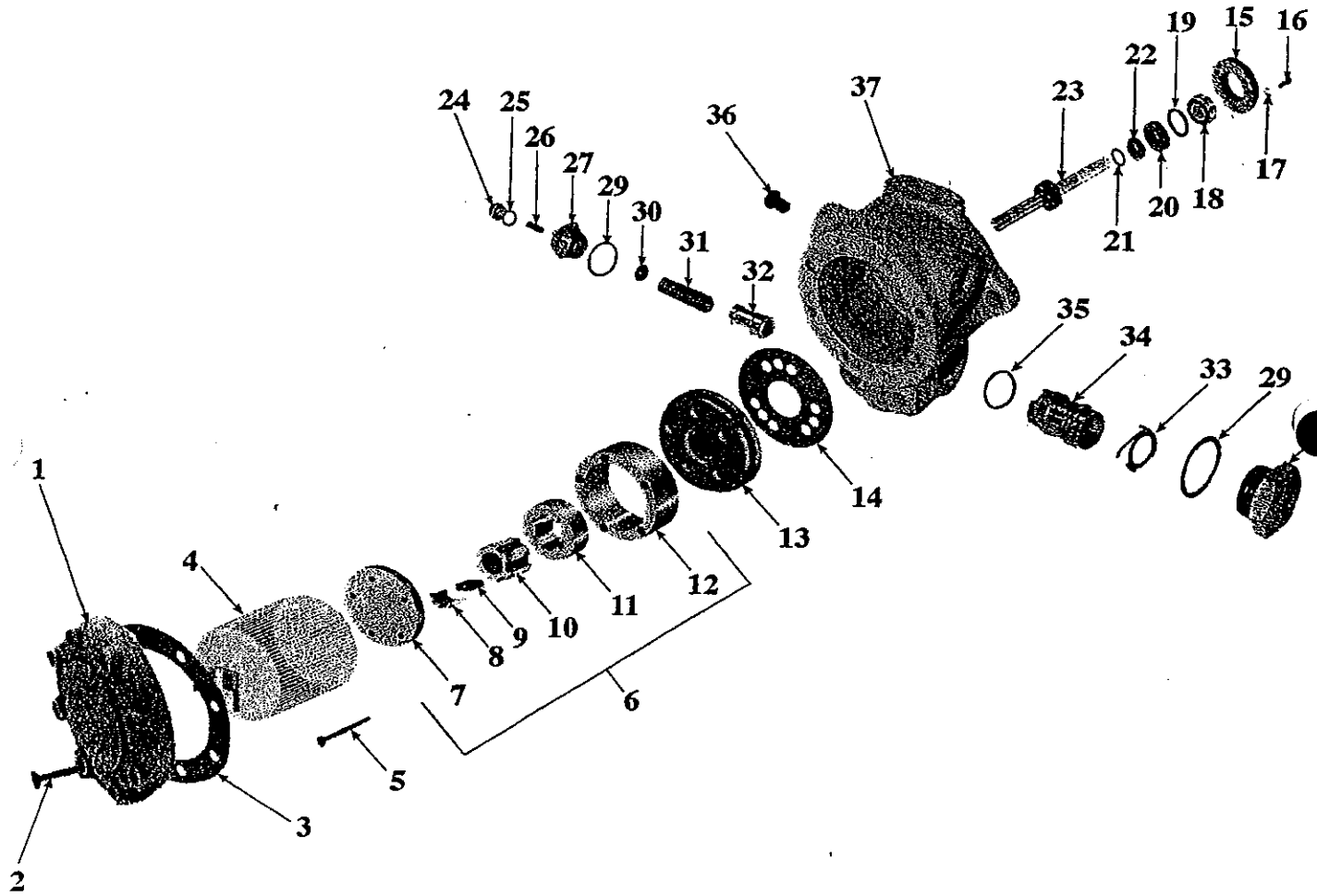
Figure 6-8 • Fuel System

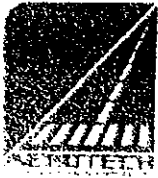
| FIG. & INDEX #NO. | PART #NO. | DESCRIPTION | UNITS PER ASSY. |
|-------------------|-----------|--|-----------------|
| 6-8- | | Fuel System | Ref. |
| 1 | TR3277 | • FUEL PUMP (<i>see fig. 6-9 for detailed breakdown</i>) | 1 |
| 2 | 04100157 | • FUEL LINE, ENGINE | 1 |
| 3 | common | • WASHER, FLAT 1/2 in. | 2 |
| 4 | common | • BOLT 1/2-13 x 1 1/4 in. | 2 |
| 5 | TM3919 | • PULLEY | 1 |
| 6 | T0653A | • SET SCREW | 1 |
| 7 | 05000148 | • BRACKET, FUEL PUMP MOUNT | 1 |
| 8 | BF7823 | • PLUG | 1 |
| 9 | 04100157 | • FUEL LINE, PRESSURE | 1 |
| 10 | BF7810 | • 90° ELBOW, BRASS FITTING | 1 |
| 11 | BF7808 | • 90° ELBOW | 2 |
| 12 | BF7812 | • TUBE PIPE CONNECTOR | 2 |
| 13 | T0555A | • FUEL LINE, PICK UP | 1 |
| 14 | BF7809 | • 90° ELBOW | 1 |
| 15 | BF7827 | • STREET TEE | 1 |
| 16 | BF7814 | • 45° ELBOW BRASS FITTING | 1 |



Section 6 • Parts List

Figure 6-9 • Fuel Pump



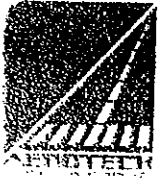


Section 6 • Parts List

Figure 6-9 • Fuel Pump

| FIG. & INDEX #NO. | PART #NO. | DESCRIPTION | UNITS PER ASSY. |
|-------------------|-----------|--|-----------------|
| 6-9- | TR3277 | Fuel Pump | Ref. |
| 1 | 117463 | • COVER, PUMP (attaching parts) | 1 |
| 2 | 111401 | • BOLT, COVER | 8 |
| 3 | 110441 | • GASKET, COVER | 1 |
| 4 | 111302 | • STRAINER, FUEL PUMP | 1 |
| 5 | 105021 | • BOLT, END PLATE | 1 |
| 6 | 127297 | • PLATE, END includes items 7, 8, 9, 10, 11 and 12 | 1 |
| 7 | no number | • PLATE, END | 1 |
| 8 | no number | • CRESCENT | 1 |
| 9 | 1271131 | • KEY, DRIVE | 1 |
| 10 | no number | • ROLLER | 1 |
| 11 | no number | • ROTOR | 1 |
| 12 | no number | • HOUSING, ROTOR | 1 |
| 13 | 131201 | • HOUSING, PORT | 1 |
| 14 | 113331 | • GASKET, PORT HOUSING | 1 |
| 15 | 118732 | • RETAINER, BEARING (attaching parts) | 1 |
| 16 | 51295 | • BOLT, RETAINER | 3 |
| 17 | MS35333-9 | • WASHER, LOCK | 3 |
| 18 | 1615DC | • BEARING, BALL, ANNULAR | 1 |
| 19 | 123632 | • PACKING, SEAL O'RING | 1 |

continued on next page...

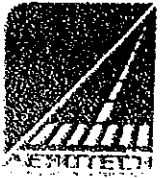


Section 6 • Parts List

Figure 6-9 • Fuel Pump

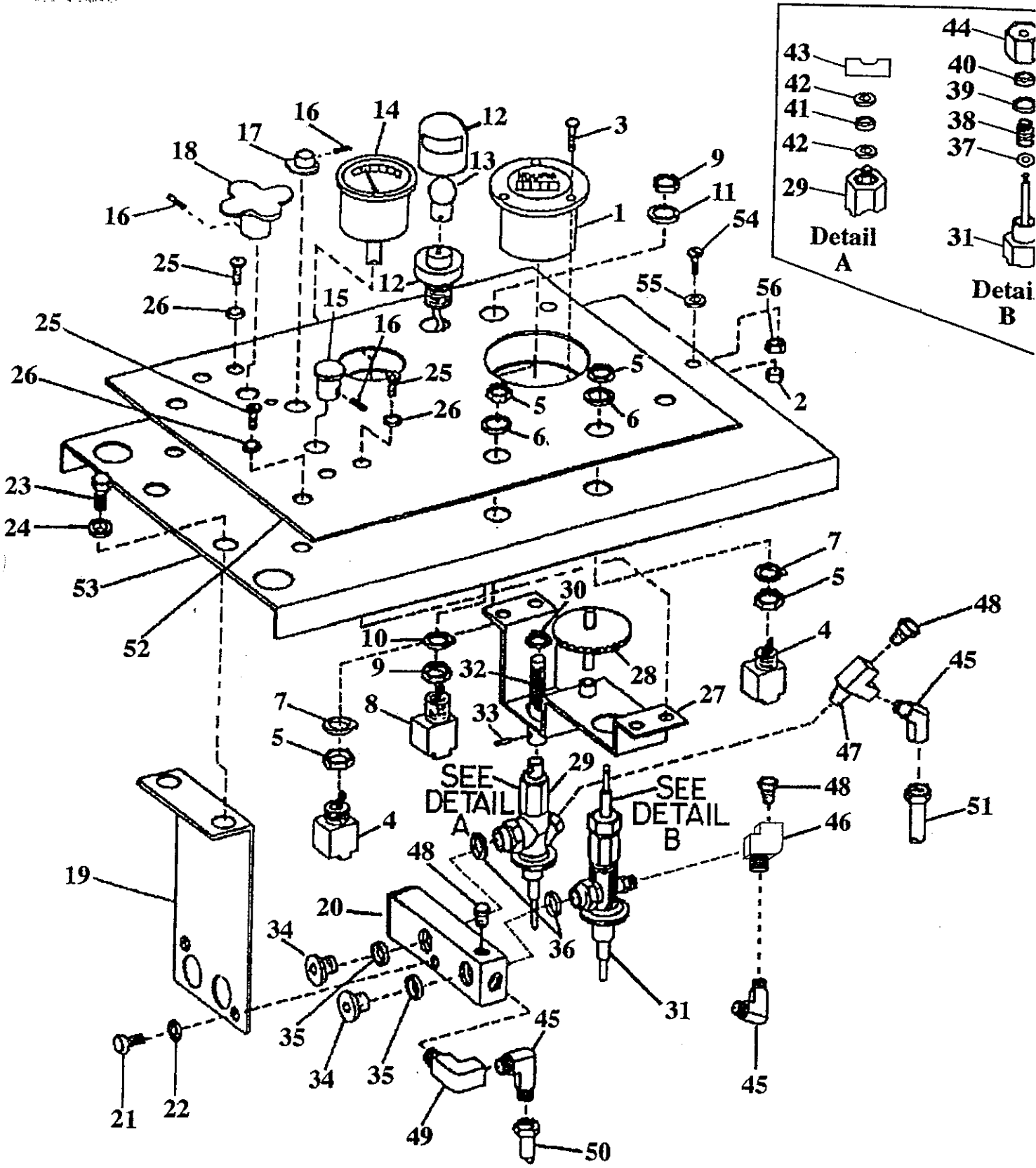
continued from page 60...

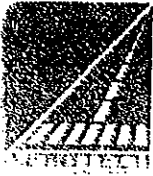
| FIG. & INDEX #NO. | PART #NO. | DESCRIPTION | UNITS PER ASSY. |
|-------------------|-----------|--|-----------------|
| 6-9- | TR3277 | Fuel Pump | Ref. |
| 20 | 115462 | • FACE, SEAL | 1 |
| 21 | 123652 | • PACKING, PREFORMED SEAL | 1 |
| 22 | 127562 | • HOUSING, SEAL | 1 |
| 23 | 131199 | • SHAFT, PUMP | 1 |
| 24 | 100241 | • NUT, END CAP | 1 |
| 25 | 100371 | • GASKET, END CAP | 1 |
| 26 | 101001 | • SCREW, ADJUSTING | 1 |
| 27 | 103379 | • PLUG, END | 1 |
| 28 | 114227 | • PLUG, END | 1 |
| 29 | 100901 | • WASHER, NONMETALLIC GASKET, END PLUG | 2 |
| 30 | 100931 | • SEAT, SPRING | 1 |
| 31 | 101641 | • SPRING, HELICAL COMPRESSION | 1 |
| 32 | 116106 | • PISTON, FUEL PUMP | 1 |
| 33 | 121732 | • RETAINER, SPRING SLEEVE | 1 |
| 34 | 121222 | • SLEEVE, PISTON | 1 |
| 35 | 28778 | • PACKING, PREFORMED O'RING | 1 |
| 36 | BF7823 | • PLUG, PIPE | 1 |
| 37 | 131196 | • BODY, PUMP | 1 |



Section 6 • Parts List

Figure 6-10 • Control Panel Assembly



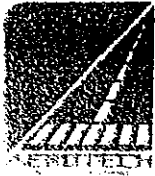


Section 6 • Parts List

Figure 6-10 • Control Panel Assembly

| FIG. & INDEX #NO. | PART #NO. | DESCRIPTION | UNITS PER ASSY. |
|-------------------|----------------|--------------------------------------|-----------------|
| 6-10- | | Control Panel Assembly | Ref. |
| 1 | MIL-M-3971/1-1 | • HOURMETER | 1 |
| 2 | common | • NUT 6-32 KEP | 3 |
| 3 | common | • SCREW 6-32 x 1/2 in. | 3 |
| 4 | MS24523-30 | • SWITCH, TOGGLE, SPRING RETURN | 2 |
| 5 | no number | • LOCKNUT (part of item #4) | 4 |
| 6 | no number | • WASHER (part of item #4) | 2 |
| 7 | no number | • WASHER (part of item #4) | 2 |
| 8 | MS24523-22 | • SWITCH, TOGGLE | 1 |
| 9 | no number | • LOCKNUT (part of item #8) | 2 |
| 10 | no number | • WASHER (part of item #8) | 1 |
| 11 | no number | • WASHER (part of item #8) | 1 |
| 12 | 04100178 | • PANEL LIGHT ASSEMBLY | 1 |
| 13 | TS623 | • BULB, PANEL LIGHT | 1 |
| 14 | 04010094 | • GAUGE, TEMPERATURE | 1 |
| 15 | 04010089 | • KNOB, BURNER CONTROL VALVE | 1 |
| 16 | T0653A | • SET SCREW | 3 |
| 17 | 04010090 | • KNOB TEMPERATURE INDICATOR | 1 |
| 18 | 04010091 | • HANDLE, TEMPERATURE SELECTOR VALVE | 1 |
| 19 | 04100175 | • SUPPORT, CONTROL BLOCK | 1 |
| 20 | TR3269 mod A | • BLOCK, FUEL CONTROL | 1 |

continued on next page..



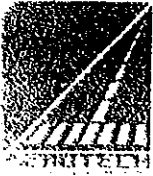
Section 6 • Parts List

Figure 6-10 • Control Panel Assembly

continued from page 63...

| FIG. & INDEX #NO. | PART #NO. | DESCRIPTION | UNITS PER ASSY. |
|-------------------|-------------|---|-----------------|
| 6-10- | | Control Panel Assembly | Ref. |
| 21 | common | • SCREW, BRACKET SUPPORT 1/4-20 x 1 in. | 2 |
| 22 | common | • WASHER 1/4 in. | 2 |
| 23 | common | • BOLT 1/4-20 x 1/2 in. | 2 |
| 24 | common | • WASHER, FLAT #10 | 2 |
| 25 | common | • SCREW 10-24 x 3/4 in. | 8 |
| 26 | common | • WASHER, FLAT | 8 |
| 27 | 04100172 | • BRACKET, FUEL CONTROL | 1 |
| 28 | 04010092 | • GEAR, TEMPERATURE SELECTOR | 1 |
| 29 | TR3275 | • VALVE, TEMPERTURE SELECTOR | 1 |
| 30 | T0539A | • NUT, LOCKING | 1 |
| 31 | TR3274 | • VALVE, BURNER CONTROL | 1 |
| 32 | 04010108 | • STEM, TEMPERATURE SELECTOR VALVE | 1 |
| 33 | MS171591 | • ROLL, PIN | 1 |
| 34 | 04010104 | • BOLT, FLUID PASSAGE | 2 |
| 35 | MS29513-112 | • PACKING, PREFORMED O'RING | 2 |
| 36 | MS29513-116 | • PACKING, PREFORMED O'RING | 2 |
| 37 | EVL-22772 | • WASHER, COPPER | 1 |
| 38 | EVL-18080 | • SPRING, PACKING | 1 |
| 39 | EVL-13483 | • PACKING EXPANDER | 1 |
| 40 | EVL-14260 | • PACKING, PREFORMED | 1 |

continued on next page...

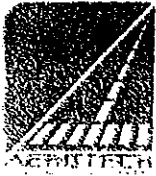


Section 6 • Parts List

Figure 6-10 • Control Panel Assembly

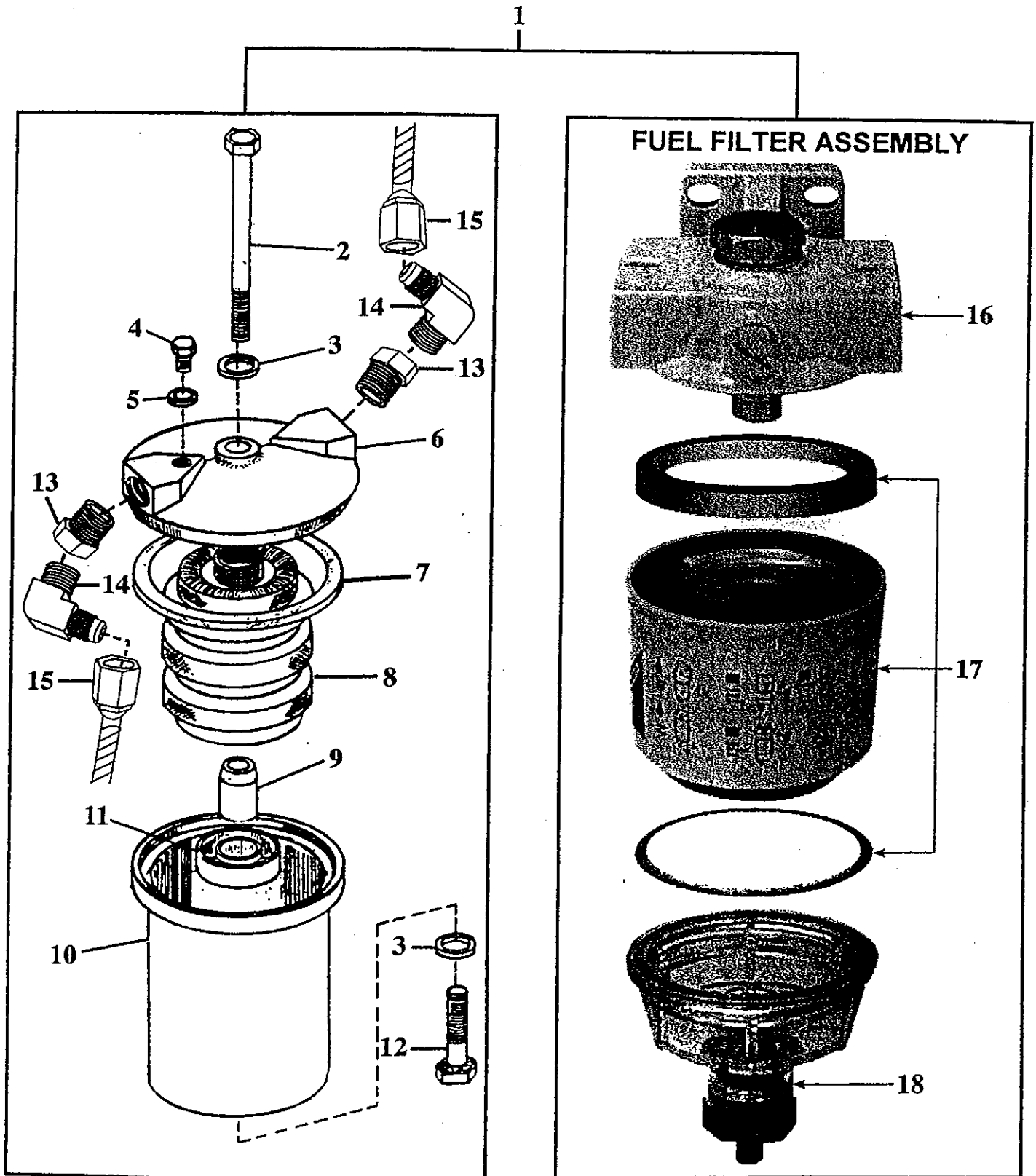
continued from page 64...

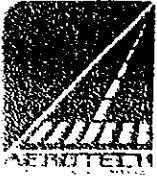
| FIG. & INDEX #NO. | PART #NO. | DESCRIPTION | UNIT PER ASSY |
|-------------------|-----------|-----------------------------|---------------|
| 6-10- | | Control Panel Assembly | Ref. |
| 41 | EVL-54165 | • PACKING, PREFORMED | 1 |
| 42 | EVL-42310 | • WASHER, BRASS | 2 |
| 43 | EVL-63224 | • PACKING SCREW | 1 |
| 44 | EVL-13484 | • PACKING NUT | 1 |
| 45 | BF7810 | • 90° TUBE ELBOW | 3 |
| 46 | BF7817 | • STREET TEE | 1 |
| 47 | BF7850 | • PIPE TEE | 1 |
| 48 | BF7819 | • PLUG | 3 |
| 49 | BF7808 | • 90° ELBOW | 1 |
| 50 | 04050001 | • FUEL RETURN LINE | 1 |
| 51 | 04100157 | • FUEL, BYPASS LINE | 1 |
| 52 | 04130013 | • NAME PLATE, CONTROL PANEL | 1 |
| 53 | 04130014 | • CONTROL PANEL | 1 |
| 54 | common | • SCREW 10-24 x 3/4 in. | 1 |
| 55 | common | • WASHER 3/16 in. | 1 |
| 56 | common | • NUT 10-24 KEP | 1 |



Section 6 • Parts List

Figure 6-11 • Fuel Filter

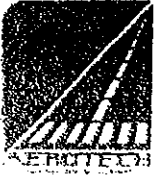




Section 6 • Parts List

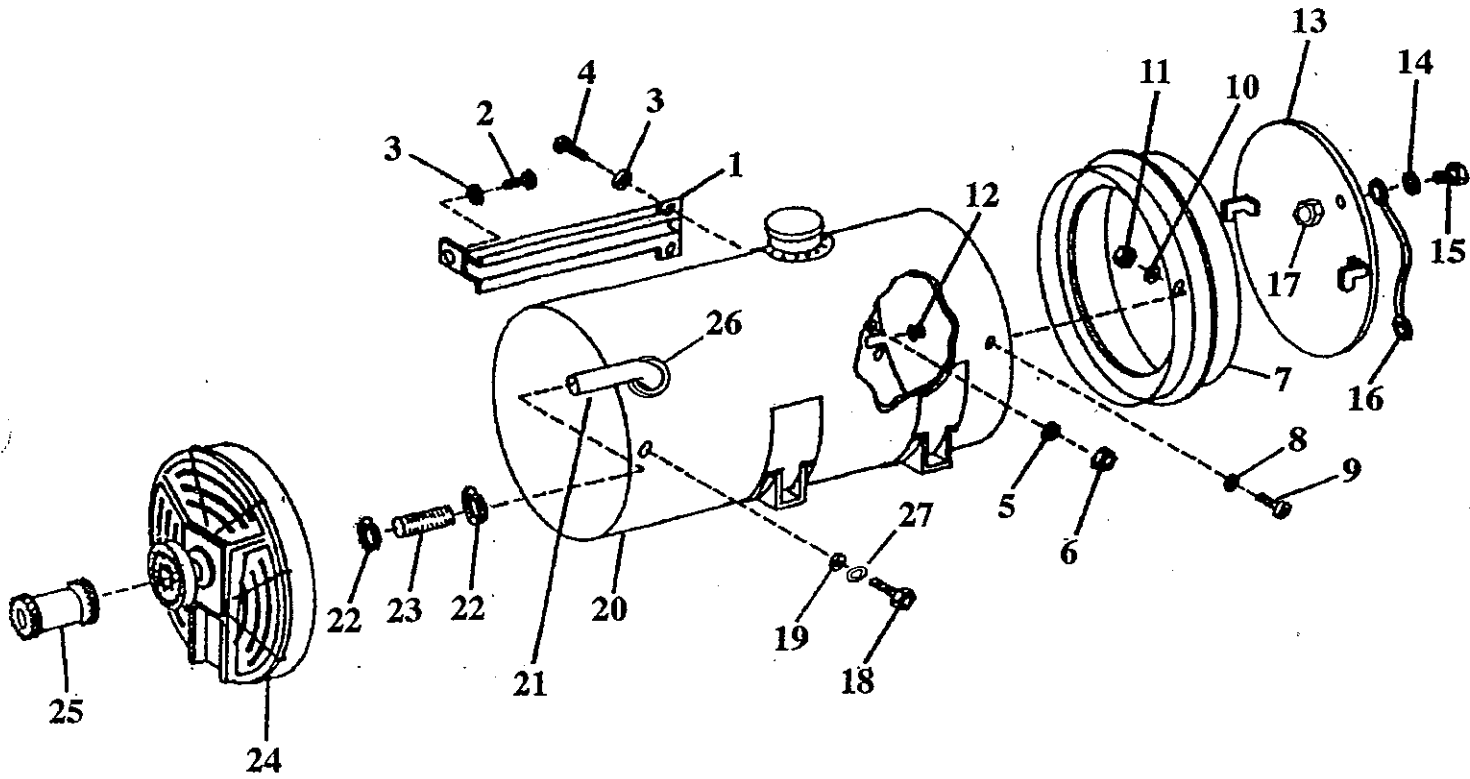
Figure 6-11 • Fuel Filter

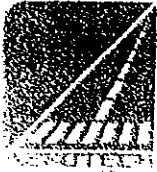
| FIG. & INDEX #NO. | PART #NO. | DESCRIPTION | UNITS PER ASSY. |
|-------------------|-----------|---|-----------------|
| 6-11- | | Fuel Filter | Ref. |
| 1 | 1A-25A | • FUEL FILTER, 04130140 (complete assy) | 1 |
| | R12P | • FUEL FILTER (RACOR) (complete assy) | 1 |
| 2 | 1A-33 | • BOLT, CENTER | 1 |
| 3 | 1A-58 | • GASKET | 2 |
| 4 | 1A-38 | • SCREW, VENT | 1 |
| 5 | 1A-39 | • GASKET, AIR BLEED | 1 |
| 6 | 1A-26A | • CAP, FILTER | 1 |
| 7 | 1A-31A | • GASKET, HEAD | 1 |
| 8 | 1A-30 | • ELEMENT ASSEMBLY | 1 |
| 9 | 1A-28A | • SPUD, CENTER | 1 |
| 10 | 1A-27B | • BODY, FILTER | 1 |
| 11 | 1A-37 | • CUP, SEALING | 1 |
| 12 | 1A-41A | • BOLT, SPUD | 1 |
| 13 | BF7840 | • REDUCER | 2 |
| 14 | BF7858 | • 90° ELBOW | 2 |
| 15 | T0555A | • FUEL LINE PICK UP | 2 |
| 16 | no number | • FUEL FILTER HEAD part of R12P | 1 |
| 17 | 05000133 | • FUEL FILTER | 1 |
| 18 | no number | • FUEL FILTER BOWL part of R12P | 1 |



Section 6 • Parts List

Figure 6-12 • Heater Assembly



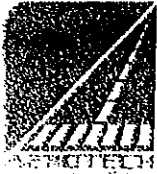


Section 6 • Parts List

Figure 6-12 • Heater Assembly

| FIG. & INDEX #NO. | PART #NO. | DESCRIPTION | UNIT PER ASSY |
|-------------------|-----------|-------------------------|---------------|
| 6-12- | | Heater Assembly | Ref. |
| 1 | 04100183 | • SHIELD, CAPILLARY | 1 |
| 2 | common | • SCREW 10-24 x 3/8 in. | 1 |
| 3 | common | • WASHER #10 | 3 |
| 4 | common | • SCREW 10-24 x 1/2 in. | 2 |
| 5 | common | • WASHER #10 | 2 |
| 6 | common | • NUT 10-24 | 2 |
| 7 | 04040020 | • ADAPTER, DUCT | 1 |
| 8 | common | • WASHER | 3 |
| 9 | common | • BOLT 10-24 x 1/2 in. | 3 |
| 10 | common | • WASHER #10 | 3 |
| 11 | common | • NUT 10-24 | 3 |
| 12 | 2713 | • GROMMET | 3 |
| 13 | 04040011 | • COVER, OUTLET | 1 |
| 14 | common | • WASHER #10 | 1 |
| 15 | common | • BOLT 10-24 x 1/2 in. | 1 |
| 16 | 04010165 | • CABLE | 1 |
| 17 | common | • NUT-KEP 10-24 | 1 |
| 18 | common | • BOLT 1/4-20 x 3/4 in. | 3 |

continued on next page.

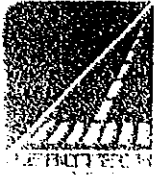


Section 6 • Parts List

Figure 6-12 • Heater Assembly

continued from page 69...

| FIG. & INDEX #NO. | PART #NO. | DESCRIPTION | UNITS PER ASSY. |
|-------------------|-----------|--|-----------------|
| 6-12- | | Heater Assembly | Ref. |
| 19 | common | • WASHER 1/4 in. | 3 |
| 20 | 04100197 | • HEAT EXCHANGER HOUSING (<i>see fig. 6-14 for detailed breakdown</i>) | 1 |
| 21 | 04100154 | • PIPE, EXHAUST | 1 |
| 22 | CLMP-20 | • CLAMP | 2 |
| 23 | 04100155 | • HOSE, FLEXIBLE EXHAUST | 1 |
| 24 | 04100191 | • FAN HUB ASSY (<i>see fig 6-13 for detailed breakdown</i>) | 1 |
| 25 | 04010238 | • SLEEVE, ENGINE COUPLING | 1 |
| 26 | 04030009 | • GROMMET, GASKET | 1 |
| 27 | common | • WASHER LOCK 1/4 in. | 3 |



Section 6 • Parts List

Figure 6-13 • Fan Hub Assembly

| FIG. & INDEX #NO. | PART #NO. | DESCRIPTION | UNITS PER ASSY. |
|-------------------|-------------|---------------------------------------|-----------------|
| 6-13- | | Fan Hub Assembly | Ref. |
| 1 | TM3927 | • BUSHING SLEEVE | 1 |
| 2 | 04010238 | • SLEEVE, COUPLING FLEX | 1 |
| 3 | common | • SCREW 6-32 x 1/4 in. | 4 |
| 4 | common | • WASHER 1/4 in. | 4 |
| 5 | TM3959 | • RETAINER, COUPLING SLEEVE | 2 |
| 6 | TM3924 | • SUPPORT, FAN BEARING | 1 |
| 7 | TM3925 | • FAN RING | 1 |
| 8 | common | • WASHER FLAT 1/4 in. | 1 |
| 9 | common | • BOLT 1/4-20 x 3/4 in. | 1 |
| 10 | 04050018 | • GUARD, FAN | 3 |
| 11 | common | • SCREW, CAP, HEX HD 1/4-20 x 1/2 in. | 3 |
| 12 | common | • WASHER, LOCK 1/4 in. | 3 |
| 13 | TM3916/2M10 | • BEARING, FAN SHAFT | 1 |
| 14 | TM3921 | • HUB, FAN | 1 |
| 15 | TM3905 | • FAN, VANEAXIAL | 1 |
| 16 | TAF3159 | • VANE, AIR STRAIGHTING | 1 |
| 17 | common | • WASHER, LOCK 1/4 in. | 3 |
| 18 | common | • SCREW, CAP, HEX HD 1/4-20 x 1/2 in. | 3 |

continued on next page...



Section 6 • Parts List

Figure 6-13 • Fan Hub Assembly

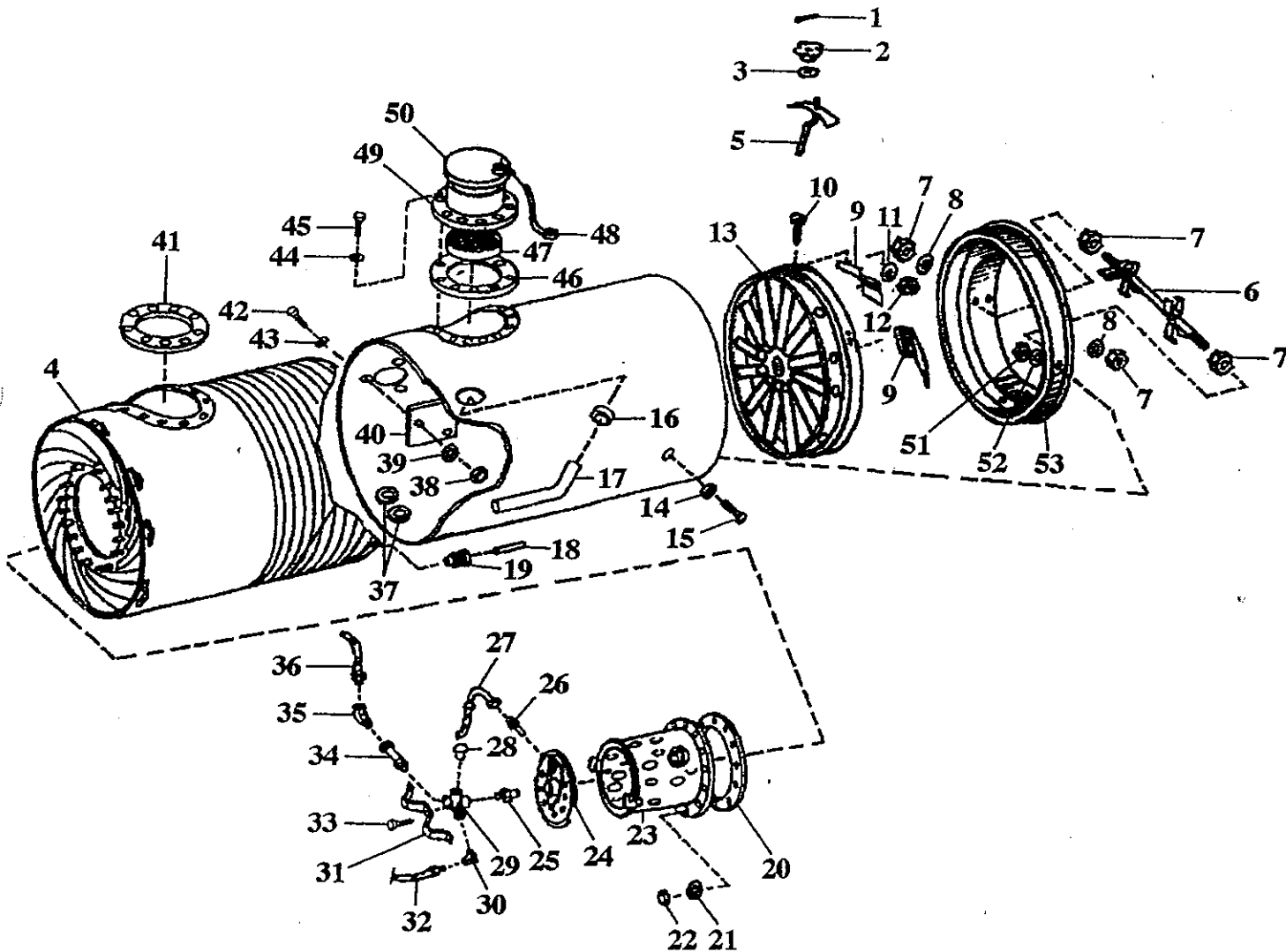
continued from page 72...

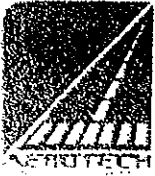
| FIG. & INDEX #NO. | PART #NO. | DESCRIPTION | UNITS PER ASSY |
|-------------------|------------|-------------------------------------|----------------|
| 6-13- | | Fan Hub Assembly | Ref. |
| 19 | common | • NUT NO. 8-32 | 2 |
| 20 | common | • WASHER, LOCK #8 | 2 |
| 21 | common | • SCREW, CAP HEX HD 5/16-18 x 1 in. | 4 |
| 22 | common | • WASHER LOCK 5/16 in. | 4 |
| 23 | common | • SCREW, MACHINE 8-32 x 1/2 in. | 2 |
| 24 | common | • WASHER, LOCK 1/4 in. | 2 |
| 25 | common | • NUT, PLAIN HEX 1/4-20 | 2 |
| 26 | common | • WASHER, FLAT 1/4 in. | 2 |
| 27 | common | • SCREW, MACHINE 1/4-20 x 1 1/2 in. | 2 |
| 28 | MS51065-42 | • V-BELT | 1 |



Section 6 • Parts List

Figure 6-14 • Heat Exchanger Assembly





Section 6 • Parts List

Figure 6-14 • Heat Exchanger Assembly

| FIG. & INDEX #NO. | PART #NO. | DESCRIPTION | UNITS PER ASSY |
|-------------------|-------------|------------------------------|----------------|
| 6-14- | | Heat Exchanger Assembly | Ref. |
| 1 | common | • PIN, COTTER 3/32 x 3/4 in. | 1 |
| 2 | TR3343 | • HAND WHEEL | 1 |
| 3 | 04040118-24 | • WASHER, TEFLON | 1 |
| 4 | TRF3082 | • HEAT EXCHANGER | 1 |
| 5 | TAF3158 | • CONTROL, DAMPER | 1 |
| 6 | 04040019 | • SUPPORT, BULB AND COIL | 1 |
| 7 | common | • NUT 10-24 NC | 4 |
| 8 | common | • WASHER, LOCK #10 | 2 |
| 9 | TA235 | • BAFFLE, AIR DEFLECTOR | 4 |
| 10 | common | • SCREW 10-32 x 3/4 in. | 4 |
| 11 | common | • WASHER LOCK #10 | 4 |
| 12 | common | • NUT 10-32 | 4 |
| 13 | TAF3154 | • CONTROL, AIR VOLUME | 1 |
| 14 | common | • WASHER #10 | 3 |
| 15 | common | • BOLT 10-24 x 1/2 in. | 3 |
| 16 | 04030009 | • GROMMET, GASKET | 1 |
| 17 | 04100154 | • PIPE, EXHAUST | 1 |
| 18 | TRF3094 | • TUBE DRAIN | 1 |
| 19 | B-600-6-5 | • REDUCER, UNION | 1 |
| 20 | TR776A | • GASKET, COMBUSTOR | 1 |

continued on next page



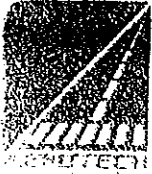
Section 6 • Parts List

Figure 6-14 • Heat Exchanger Assembly

continued from page 75...

| FIG. & INDEX #NO. | PART #NO. | DESCRIPTION | UNITS PER ASSY. |
|-------------------|-----------|----------------------------------|-----------------|
| 6-14- | | Heat Exchanger Assembly | Ref. |
| 21 | common | • WASHER, FLAT 1/4 in. | 16 |
| 22 | TR910 | • NUT, LOCK, STOVE | 16 |
| 23 | 04040008 | • COMBUSTOR | 1 |
| 24 | 04050030 | • PLATE, COMBUSTOR | 1 |
| 25 | TR775 | • NOZZLE, FUEL | 1 |
| 26 | TE1010B | • PLUG, IGNITER | 1 |
| 27 | TE1011C | • CABLE, IGNITION | 1 |
| 28 | BF7820 | • PLUG | 1 |
| 29 | T0552D | • NOLDER, NOZZLE | 1 |
| 30 | BF7808 | • ELBOW, PIPE | 1 |
| 31 | T0553C | • CLAMP | 1 |
| 32 | 04100157 | • FUEL, LINE PRESSURE | 1 |
| 33 | common | • SCREW 10-32 x 3/8 in. | 2 |
| 34 | P-356 | • CHECK VALVE | 1 |
| 35 | BF7814 | • 45° ELBOW | 1 |
| 36 | 04100157 | • FUEL LINE, BYPASS | 1 |
| 37 | TE1305 | • GROMMET | 2 |
| 38 | common | • NUT 8-32 | 3 |
| 39 | common | • WASHER #8 | 3 |
| 40 | 04100159 | • WINDOW, VIEW INSPECTION SHIELD | 1 |

continued on next page...

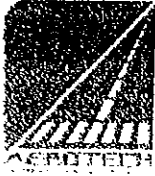


Section 6 • Parts List

Figure 6-14 • Heat Exchanger Assembly

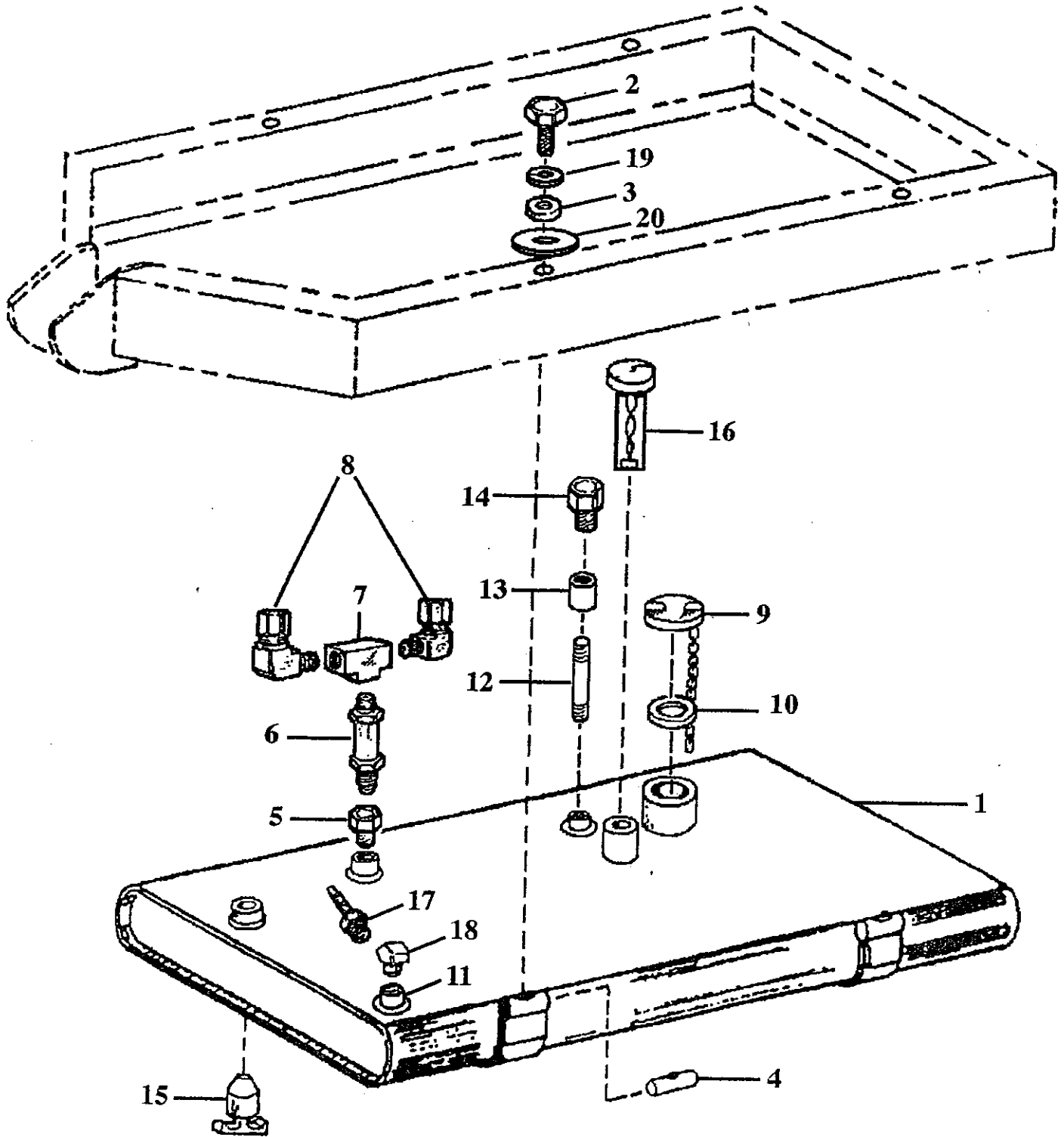
continued from page 76...

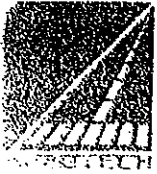
| FIG. & INDEX #NO. | PART #NO. | DESCRIPTION | UNITS PER ASSY |
|-------------------|-----------|---------------------------|----------------|
| 6-14- | | Heat Exchanger Assembly | Ref. |
| 41 | TX595 | • GASKET, HEAT EXCHANGER | 1 |
| 42 | common | • BOLT 8-36 x 3/4 in. | 3 |
| 43 | common | • WASHER #8 | 3 |
| 44 | common | • WASHER #10 | 12 |
| 45 | common | • SCREW 10-24 x 3/4 in. | 12 |
| 46 | TX592 | • GASKET, EXHAUST | 1 |
| 47 | 04040014 | • SPARK ARRESTOR | 1 |
| 48 | 04010165 | • CABLE | 1 |
| 49 | 04040015 | • STACK, EXHAUST | 1 |
| 50 | TR3313 | • COVER, EXHAUST | 1 |
| 51 | common | • NUT 10-24 | 3 |
| 52 | common | • WASHER #10 | 3 |
| 53 | 04040020 | • ADAPTER, DISCHARGE DUCT | 1 |



Section 6 • Parts List

Figure 6-15 • Fuel Tank Assembly





Section 6 • Parts List

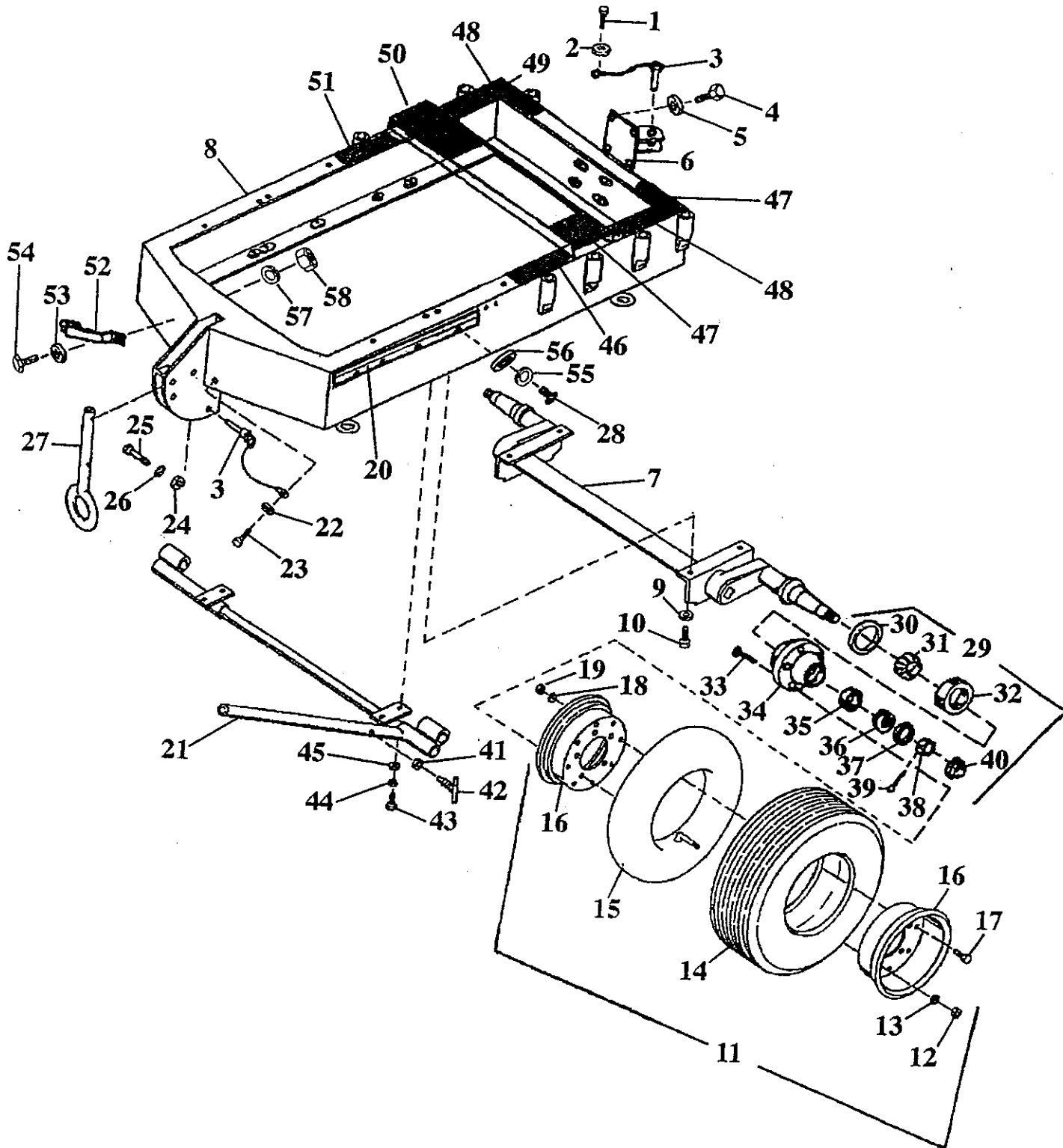
Figure 6-15 • Fuel Tank Assembly

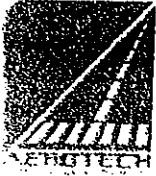
| FIG. & INDEX #NO. | PART #NO. | DESCRIPTION | UNITS PER ASSY |
|-------------------|------------|---------------------------------------|----------------|
| 6-15- | | Fuel Tank Assembly | Ref. |
| 1 | 04100104 | • FUEL TANK | 1 |
| 2 | common | • BOLT 3/8-16 x 1 in. | 4 |
| 3 | common | • WASHER, FLAT 3/8 in. | 4 |
| 4 | 04100142 | • BARREL NUT | 4 |
| 5 | BF7824 | • FLARE ADAPTER | 1 |
| 6 | T03027 | • CHECK VALVE | 1 |
| 7 | BF7817 | • TEE FITTING | 1 |
| 8 | BF7810 | • ELBOW | 1 |
| 9 | MS35645-1 | • CAP, FUEL TANK | 1 |
| 10 | MS35643-1 | • GASKET, FUEL CAP | 1 |
| 11 | BF-7822 | • REDUCER | 1 |
| 12 | 04110232 | • PIPE NIPPLE, 1/4 NPT x 5" VENT PIPE | 1 |
| 13 | BF7838 | • UNION | 1 |
| 14 | 04110232 | • VENT PLUG | 1 |
| 15 | BF7825 | • DRAIN, TANK | 1 |
| 16 | C401V032 | • GAUGE, FUEL | 1 |
| 17 | BF7829 | • HOSE BARB | 1 |
| 18 | BF7808 | • 45° ELBOW | 1 |
| 19 | common | • WASHER LOCK 3/8 in. | 4 |
| 20 | MS27183-14 | • WASHER, BARRY R18733-7 | 4 |



Section 6 • Parts List

Figure 6-16 • Trailer and Axle Assembly





Section 6 • Parts List

Figure 6-16 • Trailer and Axle Assembly

| FIG. & INDEX #NO. | PART #NO. | DESCRIPTION | UNIT PER ASSY. |
|-------------------|-----------|-------------------------------------|----------------|
| 6-16- | | Trailer and Axle Assembly | Ref. |
| 1 | common | • BOLT 1/4-20 x 1/4 in. | 1 |
| 2 | common | • WASHER 1/4 in. FLAT | 1 |
| 3 | 04020138 | • HITCH PIN | 2 |
| 4 | common | • BOLT 1/2-18 x 1 in. | 4 |
| 5 | common | • WASHER FLAT 1/2 in. | 4 |
| 6 | 04130033 | • TRAILER HITCH | 1 |
| 7 | 05000111 | • AXLE AND SPRING ASSEMBLY HP2-5206 | 1 |
| 8 | 05000112 | • TRAILER 2-HP2-4614-01 | 1 |
| 9 | common | • WASHER FLAT 1/2 in. | 4 |
| 10 | common | • BOLT 1/2-18 x 1 1/4 in. | 4 |
| 11 | no number | • WHEEL ASSEMBLY | 2 |
| 12 | common | • NUT 1/2-20 | 5 |
| 13 | common | • WASHER 1/2 in. | 5 |
| 14 | 690-9 | • TIRE | 1 |
| 15 | 600/690-9 | • TUBE | 1 |
| 16 | R9-4.00-1 | • RIM OUTER 905-SM-MIL | 1 |
| | R9-4.00-2 | • RIM INNER 905-SF-MIL | 1 |
| 17 | common | • BOLT 1/2-20 x 3/4 in. | 8 |
| 18 | common | • WASHER 1/2 in. | 8 |
| 19 | common | • NUT 1/2-20 | 8 |
| 20 | 04130030 | • GUIDE, HOOD RETAINER | 2 |

continued on next page...



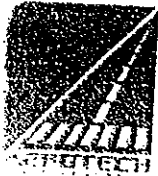
Section 6 • Parts List

Figure 6-16 • Trailer and Axle Assembly

continued from page 81...

| FIG. & INDEX #NO. | PART #NO. | DESCRIPTION | UNIT PER ASSY |
|-------------------|------------|-----------------------------|---------------|
| 6-16- | | Trailer and Axle Assembly | Ref. |
| 21 | 05000113 | • BRAKE ASSEMBLY 2-HP2-5240 | 1 |
| 22 | common | • WASHER 1/4 in. | 1 |
| 23 | common | • BOLT 1/4-20 x 1/4 in. | 1 |
| 24 | common | • NUT 1/2-20 | 1 |
| 25 | common | • BOLT 1/2-20 x 2 1/2 in. | 1 |
| 26 | common | • WASHER LOCK 1/2 in. | 1 |
| 27 | 04040027-2 | • TOW BAR | 1 |
| 28 | common | • BOLT 1/2-18 x 3/4 in. | 8 |
| 29 | no number | • WHEEL HUB ASSEMBLY | 2 |
| 30 | G-664-A | • SEAL | 1 |
| 31 | 24780 | • BEARING INNER | 1 |
| 32 | 24720 | • BEARING, CONE, INNER RACE | 1 |
| 33 | 16-5994 | • STUD | 5 |
| 34 | MS24328-2 | • HUB | 1 |
| 35 | 15245 | • BEARING, CONE, OUTER RACE | 1 |
| 36 | 15123 | • BEARING, OUTER | 1 |
| 37 | 13108 | • WASHER | 1 |
| 38 | 16-5686 | • NUT, CASTELLATED | 1 |
| 39 | AN380-4-7 | • PIN, COTTER | 1 |
| 40 | A260 | • DUST CAP | 1 |

continued on next page...

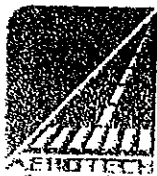


Section 6 • Parts List

Figure 6-16 • Trailer and Axle Assembly

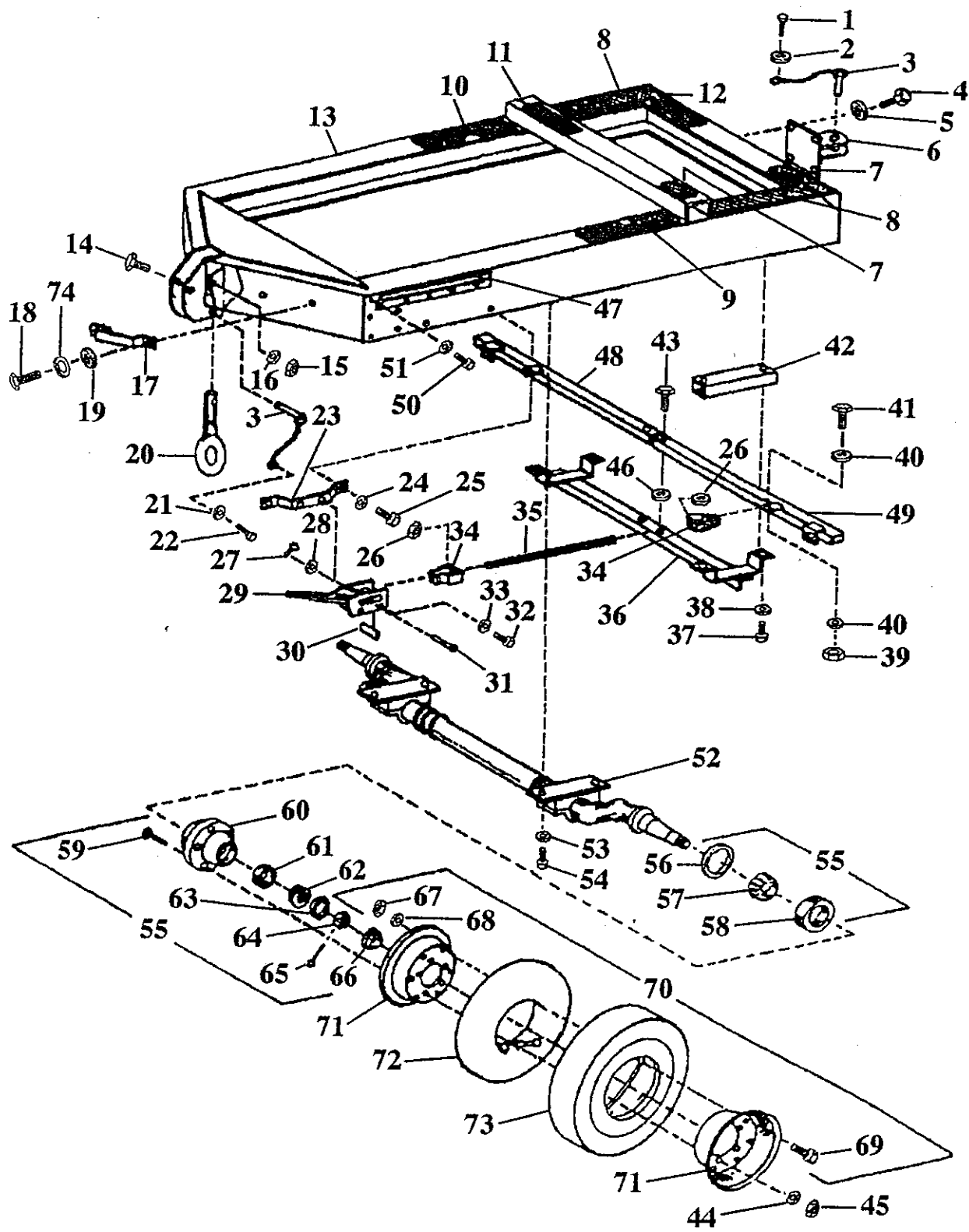
continued from page 82...

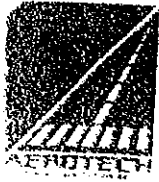
| FIG. & INDEX #NO. | PART #NO. | DESCRIPTION | UNIT PER ASSY |
|-------------------|------------|-----------------------------------|---------------|
| 6-16- | | Trailer and Axle Assembly | Ref |
| 41 | HP2-4922 | • JAM NUT 5/16-18 | 1 |
| 42 | 2-HP2-4859 | • BRAKE LOCK | 1 |
| 43 | common | • BOLT, HEX HEAD 3/8-16 x 3/4 in. | 1 |
| 44 | common | • WASHER LOCK 3/8 in. | 4 |
| 45 | common | • WASHER 3/8 in. | 4 |
| 46 | 04100150-1 | • DUCT WEAR STRIP LH | 4 |
| 47 | 04100151-1 | • DUCT WEAR STRIP | 1 |
| 48 | 04100151-2 | • DUCT WEAR STRIP | 1 |
| 49 | 04100151-1 | • DUCT WEAR STRIP | 2 |
| 50 | 04100151-2 | • DUCT WEAR STRIP | 1 |
| 51 | 04100151-4 | • DUCT WEAR STRIP RH | 1 |
| 52 | 04130023 | • HANDLE, LIFT | 1 |
| 53 | common | • WASHER 5/16 in. | 2 |
| 54 | common | • BOLT 5/16-18 x 1 in. | 4 |
| 55 | common | • WASHER LOCK 1/4 in. | 4 |
| 56 | common | • WASHER FLAT 1/4 in. | 8 |
| 57 | common | • WASHER LOCK 5/16 in. | 8 |
| 58 | common | • NUT 5/16-18 | 4 |
| | | | 4 |



Section 6 • Parts List

Figure 6-17 • Trailer and Axle Assembly



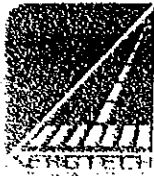


Section 6 • Parts List

Figure 6-17 • Trailer and Axle Assembly

| FIG. & INDEX #NO. | PART #NO. | DESCRIPTION | UNIT PRICE ASS. |
|-------------------|------------|---------------------------|-----------------|
| 6-17- | | Trailer and Axle Assembly | Re |
| 1 | common | • BOLT 1/4-20 x 1/4 in. | 1 |
| 2 | common | • WASHER 1/4 in. | 1 |
| 3 | 04020138 | • HITCH PIN | 2 |
| 4 | common | • BOLT 1/2-18 x 1 in. | 4 |
| 5 | common | • WASHER, FLAT 1/2 in. | 4 |
| 6 | 04130033 | • TRAILER HITCH | 1 |
| 7 | 04100151-1 | • DUCT WEAR STRIP | 2 |
| 8 | 04100151-2 | • DUCT WEAR STRIP | 2 |
| 9 | 04100150-1 | • DUCT WEAR STRIP L/H | 1 |
| 10 | 04100150-2 | • DUCT WEAR STRIP R/H | 1 |
| 11 | 04100151-4 | • DUCT WEAR STRIP | 1 |
| 12 | 04100151-3 | • DUCT WEAR STRIP | 1 |
| 13 | 04130022 | • FRAME TRAILER | 1 |
| 14 | common | • BOLT 1/2-20 x 2 1/2 in. | 1 |
| 15 | common | • NUT 1/2-20 | 1 |
| 16 | common | • WASHER 1/2 in. | 1 |
| 17 | 04130023 | • HANDLE, LIFT | 2 |
| 18 | common | • BOLT 5/16-18 x 1 in. | 4 |
| 19 | common | • WASHER 5/16 in. | 4 |
| 20 | 04040027-2 | • TOW BAR | 1 |

continued on next page...



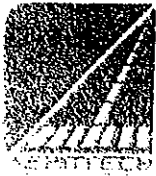
Section 6 • Parts List

Figure 6-17 • Trailer and Axle Assembly

continued from page 85...

| FIG. & INDEX #NO. | PART #NO. | DESCRIPTION | UNITS PER ASSY. |
|-------------------|------------|---------------------------------------|-----------------|
| 6-17- | | Trailer and Axle Assembly | Ref. |
| 21 | common | • WASHER 1/4 in. | 1 |
| 22 | common | • BOLT 1/4-20 x 1/4 in. | 1 |
| 23 | 04100170 | • MOUNT, BRAKE ACTUATOR | 2 |
| 24 | common | • WASHER 5/16 in. | 4 |
| 25 | common | • BOLT 5/16-18 x 3/4 in. | 1 |
| 26 | common | • NUT, ADJUSTING 5/16-18 | 8 |
| 27 | common | • PIN, COTTER 3/32 x 3/4 in. | 2 |
| 28 | common | • WASHER 1/4 in. | 2 |
| 29 | 04130024 | • ACTUATOR, BRAKE | 2 |
| 30 | 04130024-2 | • SPACER, BRAKE ACTUATOR | 2 |
| 31 | 04130024-5 | • PIN, CLEVIS MS20392-7C79 | 2 |
| 32 | common | • BOLT 3/8-18 x 1 1/2 in. | 4 |
| 33 | common | • WASHER 3/8 in. | 4 |
| 34 | 04130025 | • CLEVIS, BRAKE ROD | 4 |
| 35 | common | • ROD, THREADED, 5/16-18 x 18 1/2 in. | 2 |
| 36 | 04130026 | • BRAKE SUPPORT | 1 |
| 37 | common | • BOLT 5/19-18 x 2 in. | 4 |
| 38 | common | • WASHER 5/16 in. | 4 |
| 39 | common | • NUT 1/4-20 | 2 |
| 40 | common | • WASHER 1/4 in. | 4 |

continued on next page...



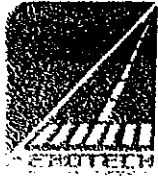
Section 6 • Parts List

Figure 6-17 • Trailer and Axle Assembly

continued from page 86...

| FIG. & INDEX #NO. | PART #NO. | DESCRIPTION | UNITS PER ASSY |
|-------------------|------------|--|----------------|
| 6-17- | | Trailer and Axle Assembly | Ref. |
| 41 | common | • BOLT 1/4-20 x 1 in. | 2 |
| 42 | 04100152 | • SPACER | 2 |
| 43 | MS51973-43 | • BOLT, SHOULDER BOLT 5/8-11 x 1 1/4 in. | 2 |
| 44 | common | • WASHER 1/2 in. | 5 |
| 45 | common | • NUT 1/2-20 | 5 |
| 46 | common | • WASHER 1/2 in. | 2 |
| 47 | 04130030 | • GUIDE HOOD RETAINER | 2 |
| 48 | 04130027-1 | • BRAKE ARM, LH | 1 |
| 49 | 04130027-2 | • BRAKE ARM, RH | 1 |
| 50 | common | • BOLT 1/4-18 x 3/4 in. | 8 |
| 51 | common | • WASHER 1/4 in. | 8 |
| 52 | 04130027 | • AXLE AND SPRING | 1 |
| 53 | common | • WASHER, FLAT 1/2 in. | 4 |
| 54 | common | • BOLT 1/2-18 x 1 1/4 in. | 4 |
| 55 | no number | • HUB ASSEMBLY | 2 |
| 56 | 16-6200 | • SEAL | 1 |
| 57 | 24720 | • BEARING INNER | 1 |
| 58 | 24780 | • BEARING, CONE, INNER RACE | 1 |
| 59 | 16-5994 | • STUD | 5 |
| 60 | MS24328-2 | • HUB | 1 |

continued on next page.



Section 6 • Parts List

Figure 6-17 • Trailer and Axle Assembly

continued from page 87...

| FIG. & INDEX #NO. | PART #NO. | DESCRIPTION | UNITS PER ASSY. |
|-------------------|-----------|----------------------------|-----------------|
| 6-17- | | Trailer and Axle Assembly | Ref. |
| 61 | 15245 | • BEARING, CONE OUTER RACE | 1 |
| 62 | 15123 | • BEARING OUTER | 1 |
| 63 | 13108 | • WASHER | 1 |
| 64 | 16-5686 | • NUT, CASTELLATED | 1 |
| 65 | AN380-4-7 | • PIN, COTTER | 1 |
| 66 | 16-6201 | • DUST CAP | 1 |
| 67 | common | • NUT 1/2-20 | 8 |
| 68 | common | • WASHER 1/2 in. | 8 |
| 69 | common | • BOLT 1/2-20 x 3/4 in. | 8 |
| 70 | no number | • WHEEL ASSEMBLY | 1 |
| 71 | R9-4.00-1 | • RIM INNER 905-SF-MIL | 1 |
| | R9-4.00-2 | • RIM OUTER 905-SM-MIL | 1 |
| 72 | 600/690-9 | • TUBE | 1 |
| 73 | 690-9 | • TIRE | 1 |
| 74 | common | • LOCKWASHER 5/16 in. | 4 |